

MD PRO Miniature Proportional Valve

Miniature Proportional Valve




The MD PRO is a miniature 2-way normally closed (NC) proportional valve that controls gas flow proportionally to input current for flow rates up to 56 slpm. When used with closed loop feedback, the MD PRO is an economical solution that provides repeatable pressure and flow control. The MD PRO is ideal for applications such as respiratory therapy, anesthesia delivery and patient monitoring devices.

Typical Applications

- O₂ Concentrators/Conservers
- Ventilators
- Anesthesia Delivery
- Pressure & Flow Control
- Patient Monitors

Features

- Provides repeatable flow performance over its rated life
- Offers a superior combination of value and performance to reduce system cost
- Available Oxygen and Analytical Service use clean
- Proven performance tested to 10 million life cycles
- RoHs compliant 

Product Specifications

Physical Properties

Valve Type:	2-Way Normally Closed
Media:	Air, argon, helium, hydrogen, methane, nitrogen, oxygen, & others
Operating Environment:	32 to 140°F (0 to 60°C)
Storage Temperature:	-40 to 158°F (-40 to 70°C)
Length:	1.79 in (45.3 mm)
Width:	0.63 in (15.9 mm)
Height:	0.67 in (17.0 mm)
Porting:	1/8" (3 mm) barbs; manifold mount
Weight:	2.2 oz (63 grams)
Internal Volume:	0.031 in ³ (0.508 cm ³)
Filtration (Suggested and Available):	40 micron
Flow Direction:	Inlet Port Port 2 Outlet Port Port 1

Electrical

Power:	2.0 Watts maximum
Voltage:	See table 2
Electrical Termination:	18.5" (47 cm) Wire Leads, PC Mount, Quick Disconnect Spade

Wetted Materials

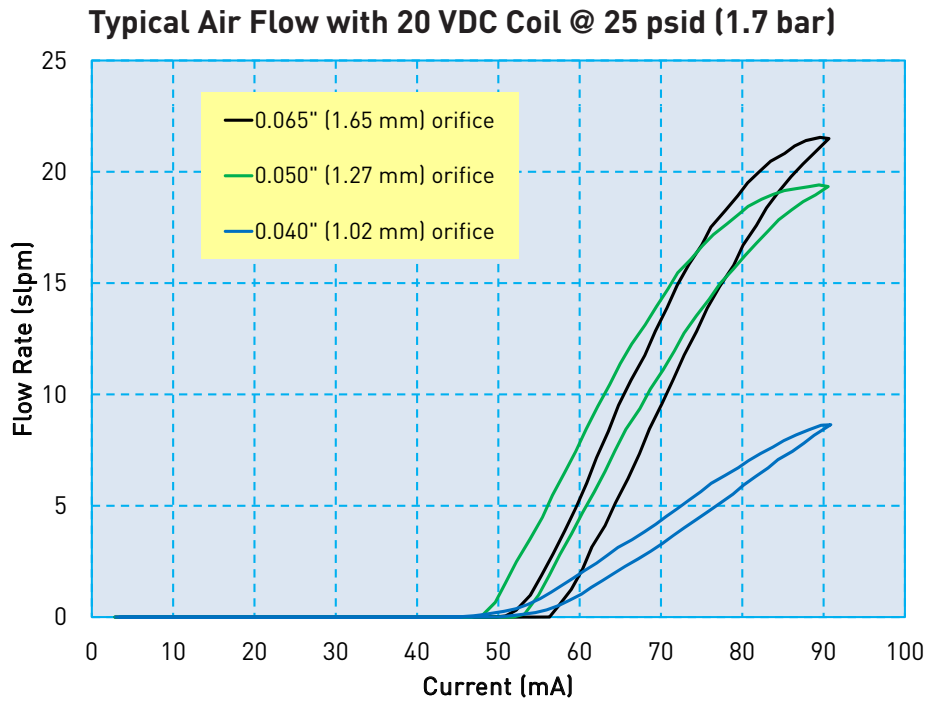
Body:	360 HO ₂ Brass
Stem Base:	430 FR Stainless Steel and Brass 360 HT
All Others:	FKM; 430 FR Stainless Steel; 300 Series Stainless Steel

Performance Characteristics

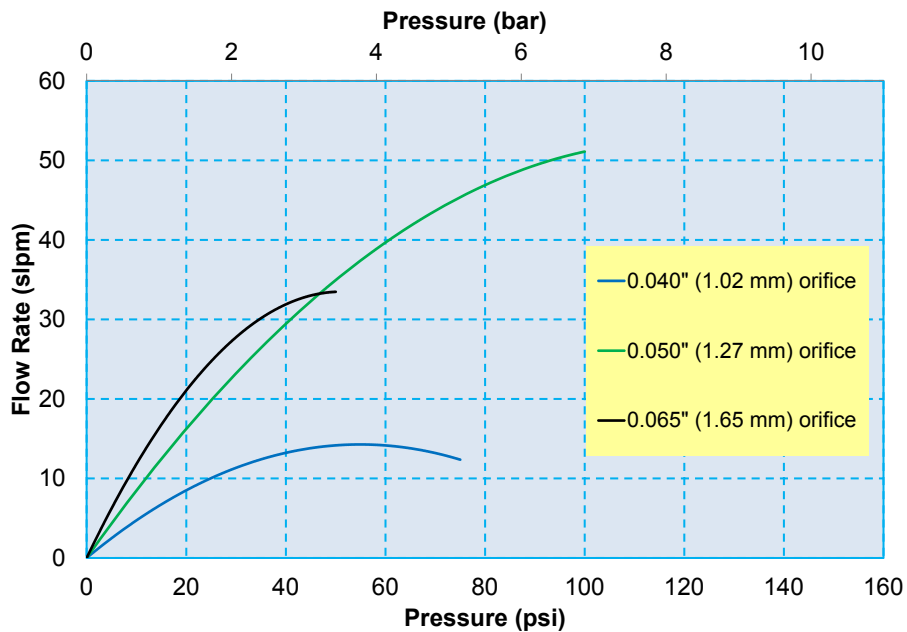
Leak Rate:	The leakage shall not exceed the following values: Internal 0.2 SCCM of air with a differential pressure of 1 psid, 25 psid and 150 psid External 0.016 SCCM of air at 150 psi
Pressure:	0 to 50 psi (3.45 bar) 0 to 75 psi (5.17 bar) 0 to 100 psi (6.89 bar) See Table 1
Vacuum:	0-27 in Hg (0-686 mm Hg)
Orifice Sizes:	0.040 in (1.02 mm) 0.050 in (1.27 mm) 0.065 in (1.65 mm)
Hysteresis:	7% of full scale current (Typical) 15% of full scale current (Max)

MD PRO Miniature Proportional Valve

Typical Flow Curve



Model 4-6 Pressure vs Flow Curves



Pressure Capabilities

Table 1

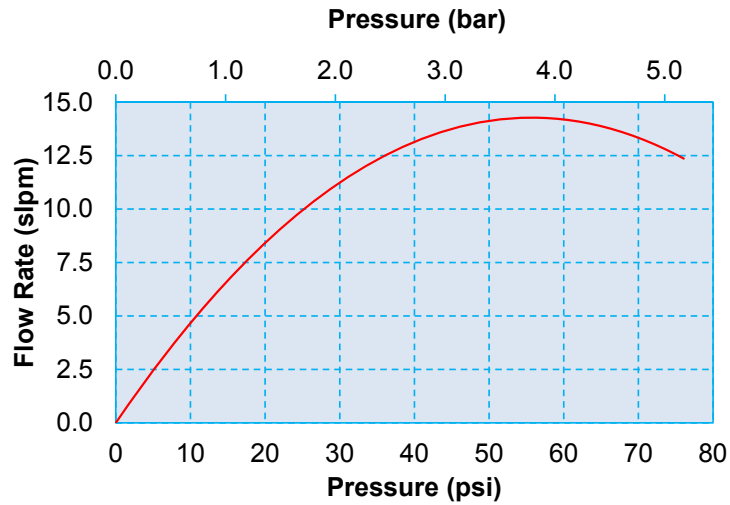
Orifice Diameter	Maximum Operating Inlet Pressure	Maximum Operating Pressure Differential
0.040 in (1.02 mm)	150 psig (10.34 bar)	75 psid (5.17 bar)
0.050 in (1.27 mm)	150 psig (10.34 bar)	100 psid (6.89 bar)
0.065 in (1.65 mm)	150 psig (10.34 bar)	50 psid (3.45 bar)



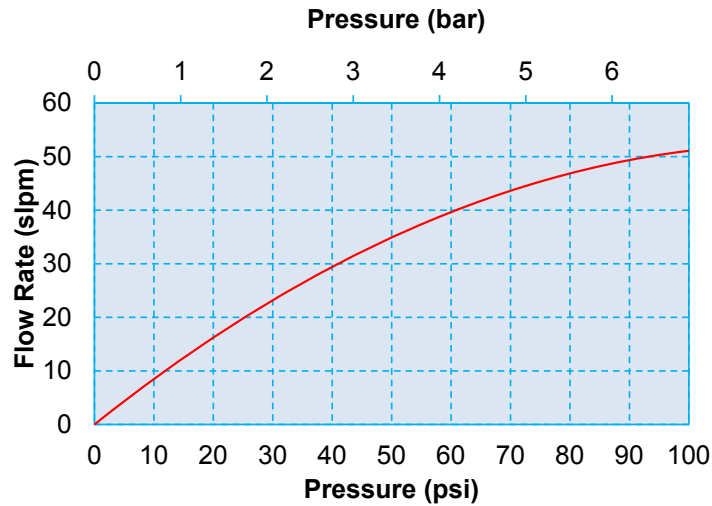
MD PRO Miniature Proportional Valve

MD PRO Sizing Charts

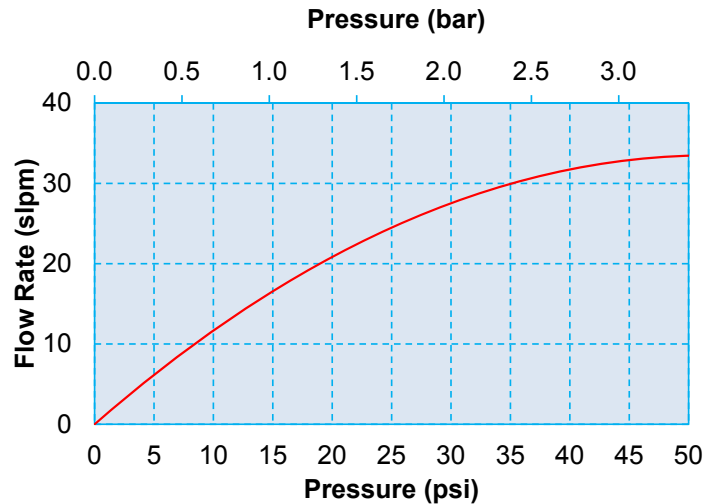
Model 4 - 0.040" (1.02 mm) Orifice



Model 5 - 0.050" (1.27 mm) Orifice



Model 6 - 0.065" (1.65 mm) Orifice



MD PRO Miniature Proportional Valve

Pneumatic Interface

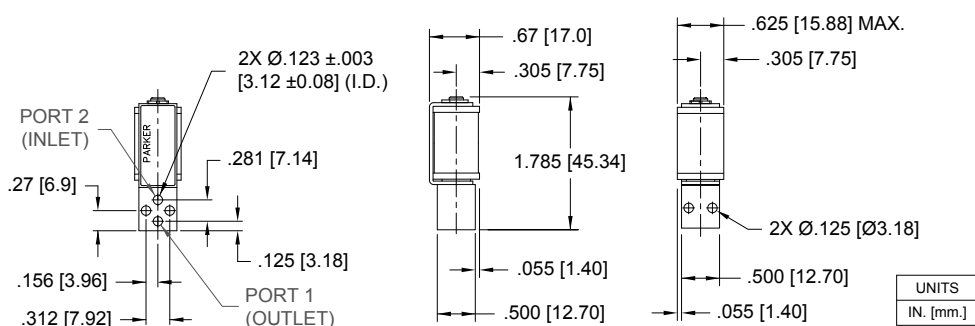
MD PRO Manifold Mount



Mechanical Integration

Dimensions

MD PRO Basic Valve Dimensions



Pneumatic Interface

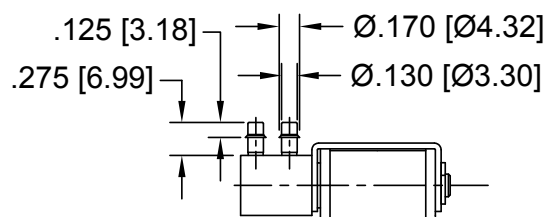
MD PRO Barbed



Barb Options

1/8" (3 mm) Barbs

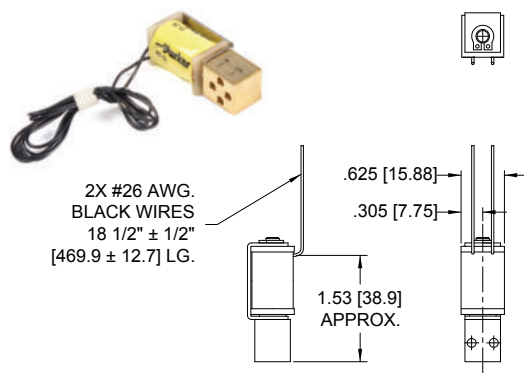
(For 1/8" (3 mm) I.D. Tubing)



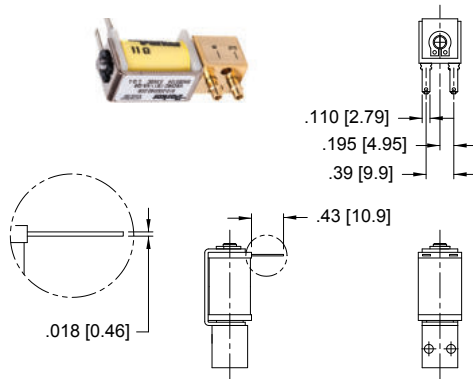
MD PRO Miniature Proportional Valve

Electrical Interface

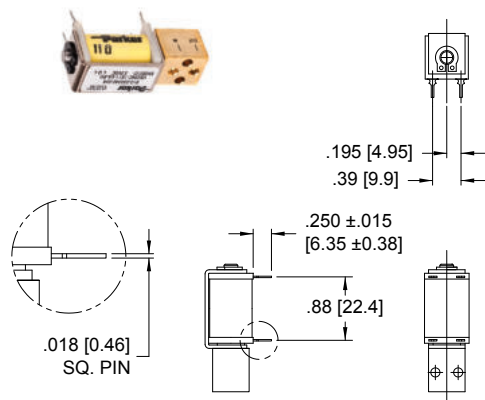
Coil Type: Wire Leads



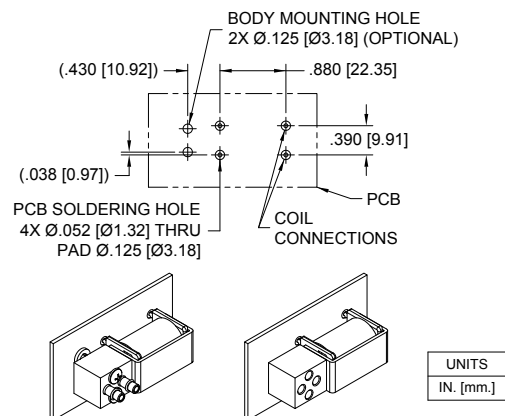
Coil Type: Quick Connect Spade



Coil Type: 4 PC Pin



PCB Pin Layout (Coil Type 4 PC Pin)



Electrical Requirements

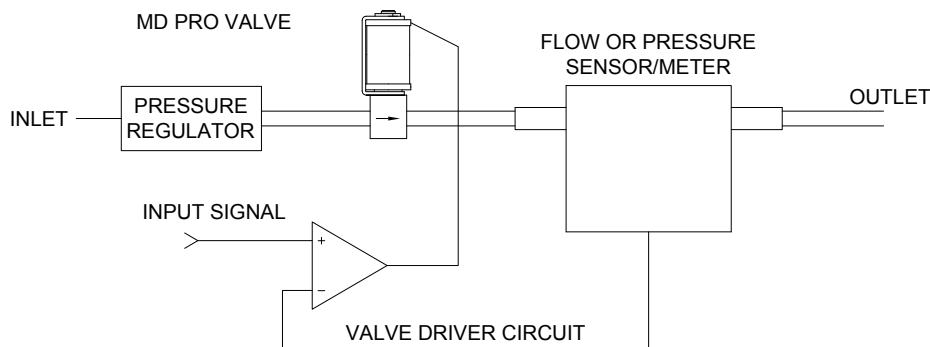
Table 2

Minimum Available Voltage (VDC)	Nominal Coil Resistance @ 20 °C (Ohms)
5.5	11
8.0	23
11.5	47
13.5	68
20.0	136
29.0	274

MD PRO Miniature Proportional Valve

Installation and Use

Typical Valve Set-up



Valve Electrical Control

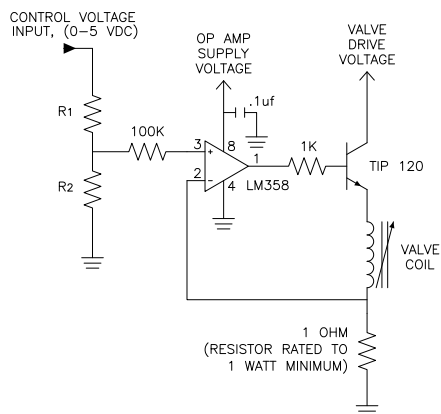
Basic Control:

The MD PRO valve can be controlled by either voltage or current; however, it is highly recommended that current control be employed to ensure the most repeatable valve flow performance.

PWM Control:

For PWM control, the signal applied to the valve should have a frequency between 5-12kHz. Optimum frequency will be application dependent.

Suggested MD PRO Current Driver Schematic



This simple current driver circuit draws only 1 mA at the input control (0-5VDC) and provides control for any MD PRO configuration regardless of valve voltage or resistance.

Table 3 (below) describes the recommended R1 and R2 resistor values based upon the full shut-off current.

Table 3: Selectable Resistor Values for a Low Current (1 mA) LM358-Based Current Driver

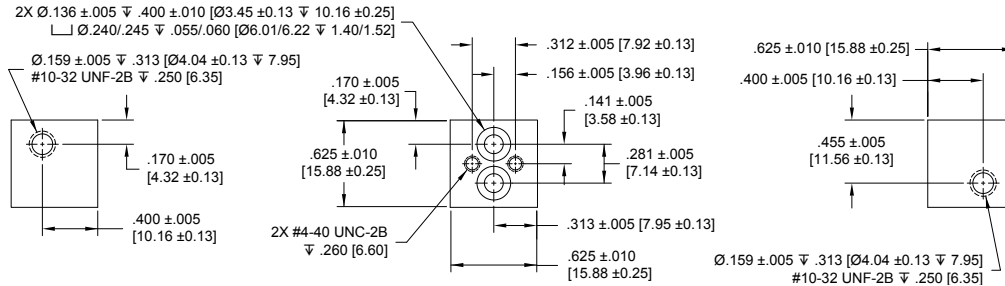
Voltage Supplied to Valve Coil (Reference)	Valve Drive Voltage (VDC)	Nominal Coil Resistance @ 20°C (Ohms)	Input Current for Full Flow (mA)	R1 (Ohms)	R2 (Ohms)
5.5	7.5	11	304	5100	330
8.0	10.0	23	212	4990	221
11.5	13.5	47	152	5100	160
13.5	15.5	68	125	4420	113
20.0	22.0	136	91	4420	82
29.0	31.0	274	66	4990	66.5

MD PRO Miniature Proportional Valve

Installation and Use

Manifold & O-Ring Dimensions & Design

Not shipped with valves.

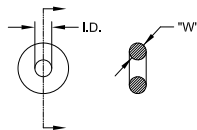


Accessories

O-Ring (Manifold Seal) Dimensions

190-007024-002 (2 required for each valve)

I.D. = Ø.114 ±.005 [Ø2.90 ±.013]
 W = .070 ±.003 [1.78 ±.008]
 O.D. = Ø.254 [Ø6.45] REFERENCE



Screw 4-40 x 5/8" Pan Head, Phillips

191-000115-010 (2 required for each valve)



Ordering Information

Sample Part ID	MDPRO	4	V	A	F	8	S
Description	Standard	Model Number: Maximum Operating Pressure / Orifice Size	Elastomer/ Body Material	Coil Voltage/Coil Resistance/Coil Current*	Electrical Interface	Pneumatic Interface	
Options		4: 75 psi / 0.040" (1.02 mm) 5: 100 psi / 0.050" (1.27 mm) 6: 50 psi / 0.065" (1.65 mm)	V: FKM / Brass	A: 5.5 VDC / 11 Ohm / 0.304 Amp B: 8 VDC / 23 Ohm / 0.212 Amp C: 11.5 VDC / 47 Ohm / 0.152 Amp D: 13.5 VDC / 68 Ohm / 0.125 Amp E: 20 VDC / 136 Ohm / 0.091 Amp F: 29 VDC / 274 Ohm / 0.066 Amp	F: Wire Leads, 18.5" (47 cm) P: PC Board Mount, 4 Pin Q: Quick Connect, Spade	1: Manifold Mount w/screens* 8: 1/8" (3 mm) Barbs	S: Standard Cleaning O: Oxygen Service
				*Maximum voltage for continuous full flow, ambient temperature 55°C			*40 Micron Screen (Port 2)

Accessories	
190-007024-002: O-ring, FKM, 0.114" ID x 0.070" Thick*	*Not supplied with the valve. Used as a seal between the valve body and manifold.
191-000115-010: Screw 4-40 x 5/8" Pan Head**	**Not supplied with the valve. Used to mount the valve to a manifold.



NOTE: In order to provide the best possible solution for your application, please provide the following requirements when contacting Applications Engineering:

- Media, Inlet & Outlet Pressures
- Minimum Required Flow Rate
- System Supply Voltage
- Media & Ambient Temperature Range

Please click on the Order On-line button (or go to www.parker.com/precisionfluidics/mdpro) to configure your MD PRO® Non-Thermally Compensated Proportional Valve. For more detailed information, visit us on the Web, or call and refer to Performance Spec. #790-002206-001 and Drawings #890-003022-001 and #890-003022-003.

PPF-MPV-002/US May 2015

For more information call +1 603 595 1500 or email ppfinfo@parker.com
 Visit www.parker.com/precisionfluidics



NOTES
