



aerospace  
climate control  
electromechanical  
filtration  
fluid & gas handling  
hydraulics  
**pneumatics**  
process control  
sealing & shielding



# Stainless Steel FRLs

Air Preparation Units

Catalogue PDE2504TCUK June 2016



ENGINEERING YOUR SUCCESS.

## Stainless Steel FRLs

---



### WARNING

FAILURE OR IMPROPER SELECTION OR IMPROPER USE OF THE PRODUCTS AND/OR SYSTEMS DESCRIBED HEREIN OR RELATED ITEMS CAN CAUSE DEATH, PERSONAL INJURY AND PROPERTY DAMAGE.

This document and other information from Parker Hannifin Corporation, its subsidiaries and authorized distributors provide product and/or system options for further investigation by users having technical expertise. It is important that you analyze all aspects of your application and review the information concerning the product or system in the current product catalog. Due to the variety of operating conditions and applications for these products or systems, the user, through its own analysis and testing, is solely responsible for making the final selection of the products and systems and assuring that all performance, safety and warning requirements of the application are met. The products described herein, including without limitation, product features, specifications, designs, availability and pricing, are subject to change by Parker Hannifin Corporation and its subsidiaries at any time without notice.

### SALE CONDITIONS

The items described in this document are available for sale by Parker Hannifin Corporation, its subsidiaries or its authorized distributors. Any sale contract entered into by Parker will be governed by the provisions stated in Parker's standard terms and conditions of sale (copy available upon request).

PF504 Filter - Miniature.....4 - 5

PF501 Coalescing Filter - Miniature.....6 - 7

PR354, PR364 Regulator - Miniature .....8 - 9

PB548, PB558 Filter / Regulator - Miniature .....10 - 11

PF10 Filter - Standard .....12 - 13

PF11 Coalescing Filter - Standard .....14 - 15

PR10, PR11 Regulator - Standard.....16 - 17

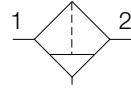
PB11, PB12 Filter / Regulator - Standard .....18 - 19

PL10 Lubricator - Standard .....20 - 21

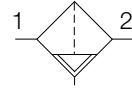
PF504 Filter – Miniature



Symbols



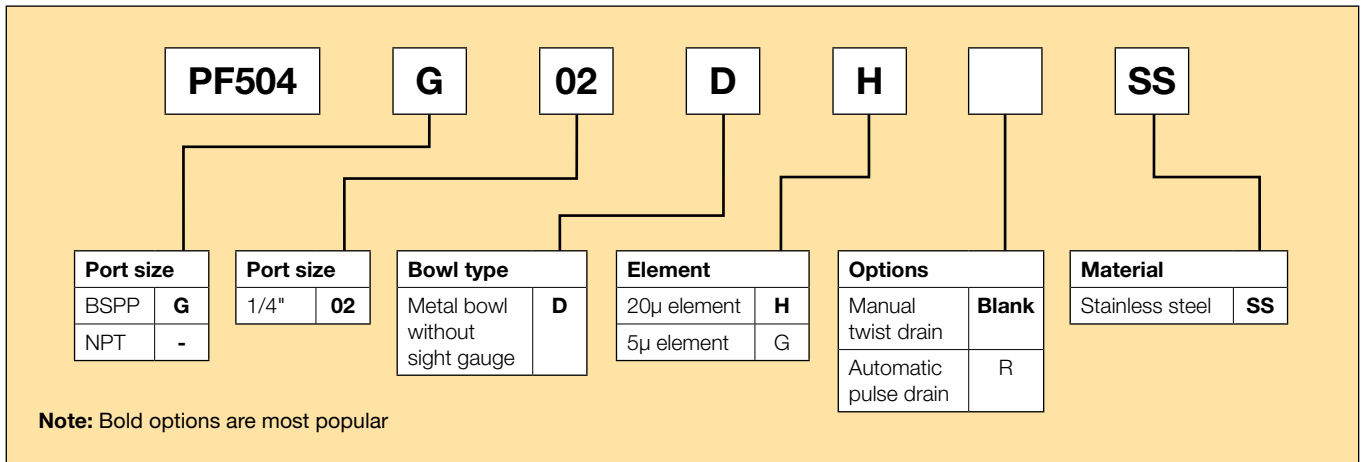
Manual drain



Auto drain

- Stainless steel construction handles most corrosive environments
- Fluorocarbon seals standard
- Meets NACE specifications MR-01-75/ISO 15156
- High flow: 1/4" - 10.85 dm<sup>3</sup>/s<sup>§</sup>
- 1/8" female threaded drain

Options:



Port size	Description	Order code	Max bar	Height mm	Width mm	Depth mm
G1/4	BSPP Manual twist drain	<b>PF504G02DHSS</b>	20.7	102	40	40
G1/4	NPT Manual twist drain	<b>PF504-02DHSS</b>	20.7	102	40	40
G1/4	BSPP Automatic pulse drain	<b>PF504G02DHRSS</b>	12.0	102	40	40
G1/4	NPT Automatic pulse drain	<b>PF504-02DHRSS</b>	12.0	102	40	40

§ dm<sup>3</sup>/s = Flow at 6.2 bar and a 0.3 bar pressure drop

**Specifications**

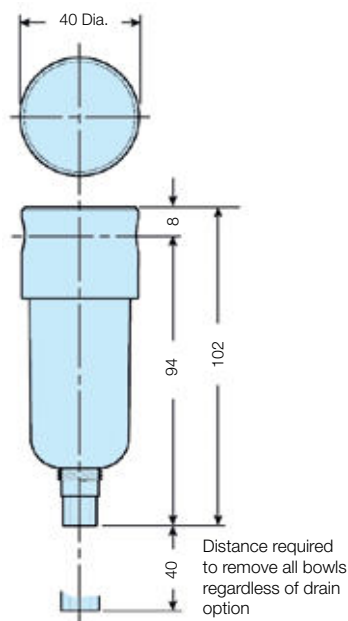
Bowl capacity	29 cm <sup>3</sup>	
Filter rating	20 micron	
Sump capacity	12 cm <sup>3</sup>	
Port threads	G1/4	
Operating temperature	Manual twist drain	-18°C to 82°C
	Automatic pulse drain	0°C to 66°C
Max supply pressure	Manual twist drain	0 to 20.7 bar
	Automatic pulse drain	0 to 12 bar
Weight	274 g	

**Note:** Air must be dry enough to avoid ice formation at temperatures below 2°C.

**Materials of Construction**

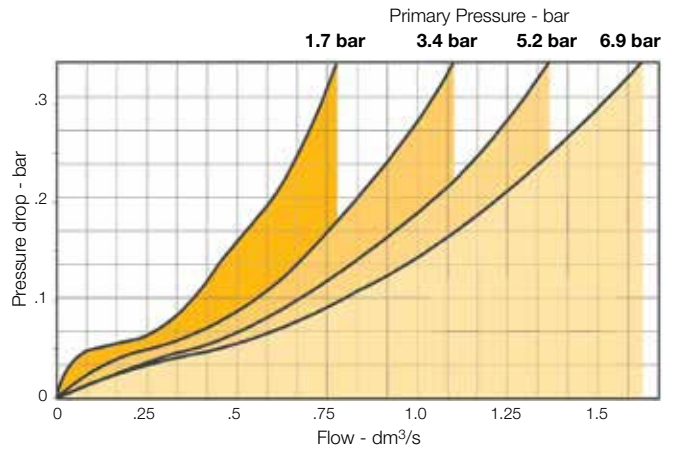
Body	316 Stainless steel
Bowl	316 Stainless steel
Deflector	Acetal
Drain	316 Stainless steel
Element holder	Acetal
Filter element	Polyethylene
Seals	Flouorcarbon

**Dimensions (mm)**



**Flow Charts**

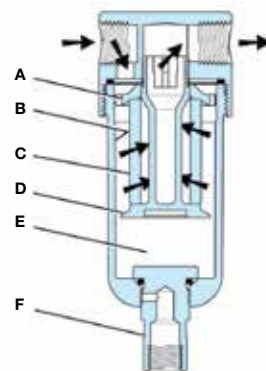
**Flow Characteristics - 1/4 Inch Ports  
PF504-02DHSS**



**Accessories**

Filter element kits	Particulate (5 micron)	<b>EK504VY</b>
	Particulate (20 micron)	<b>EK504Y</b>
Drain kits	Automatic pulse drain	<b>RK504SY-SS</b>
Manual twist drain	Small (Old)	<b>SA600Y7-1SS</b>
	Large (New)	<b>SAP05481</b>
Pipe nipple	1/4" NPT 316 Stainless Steel	<b>616Y28-SS</b>
	1/4" BSPT 316 Stainless Steel	<b>AC-2SS</b>

**Operation**



**First Stage Filtration:**

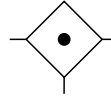
Air enters at inlet port and flows through deflector plate (A) which causes a swirling action. Liquids and coarse particles are forced to the bowl interior wall (B) by the centrifugal action of the swirling air. They are then carried down the bowl wall by the force of gravity. The baffle (D) separates the lower portion of the bowl into a "quiet zone" (E) where the removed liquid and particles collect, unaffected by the swirling air, and are therefore not reentrained into the flowing air.

**Second Stage Filtration:**

After liquids and large particles are removed in the first stages of filtration, the air flows through element (C) where smaller particles are filtered out. The filtered air then passes downstream. Collected liquids and particles in the "quiet zone" (E) should be drained before their level reaches a height where they would be reentrained in the flowing air. This can be accomplished by unscrewing the drain valve (F) slightly until the liquid begins to drain.

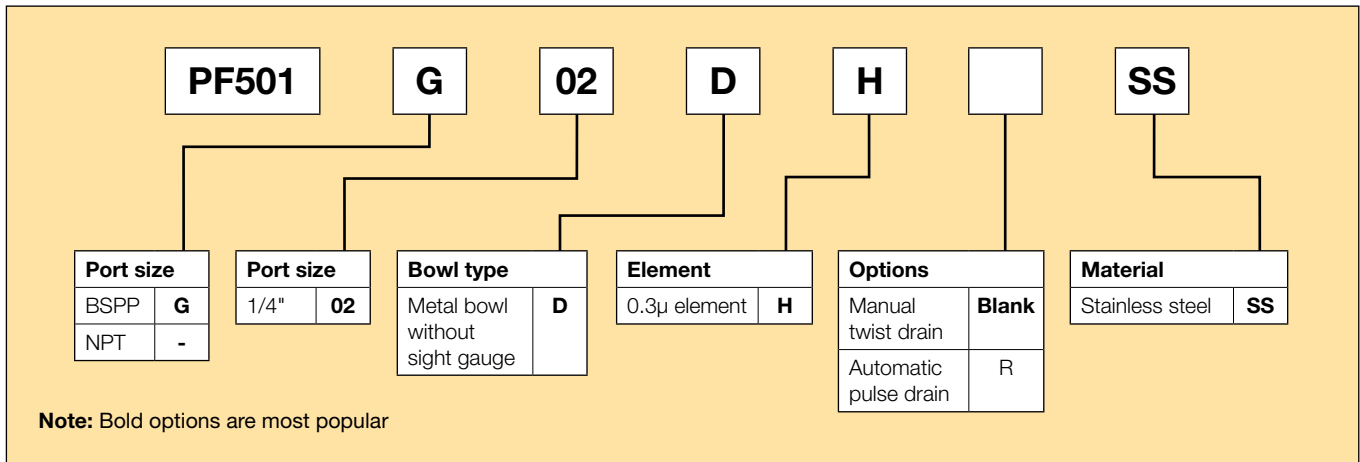
PF501 Coalescing Filter – Miniature

Symbol



- Stainless steel construction handles most corrosive environments
- Meets NACE specifications MR-01-75/ISO 15156
- High flow: 1/4" - 755 dm<sup>3</sup>/s<sup>§</sup>
- 1/8" female threaded drain

Options:



Port size	Description	Order code	Max bar	Height mm	Width mm	Depth mm
G1/4	BSPP Manual twist drain	<b>PF501G02DHSS</b>	20.7	102	40	40
G1/4	NPT Manual twist drain	<b>PF501-02DHSS</b>	20.7	102	40	40
G1/4	BSPP Automatic pulse drain	<b>PF501G02DHRSS</b>	12.0	102	40	40
G1/4	NPT Automatic pulse drain	<b>PF501-02DHRSS</b>	12.0	102	40	40

§ dm<sup>3</sup>/s = Flow at 6.2 bar and a 0.3 bar pressure drop

**Specifications**

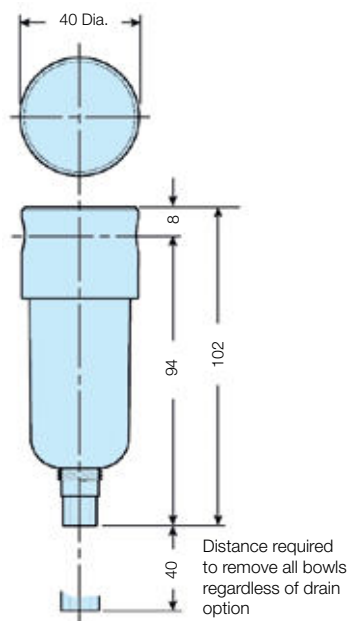
Bowl capacity		29 cm <sup>3</sup>
Filter rating		0.3 micron
Sump capacity		12 cm <sup>3</sup>
Port threads		G1/4
Operating temperature	Manual twist drain	-18°C to 82°C
	Automatic pulse drain	0°C to 66°C
Max supply pressure	Manual twist drain	0 to 20.7 bar
	Automatic pulse drain	0 to 12 bar
Weight		275 g

**Note:** Air must be dry enough to avoid ice formation at temperatures below 2°C.

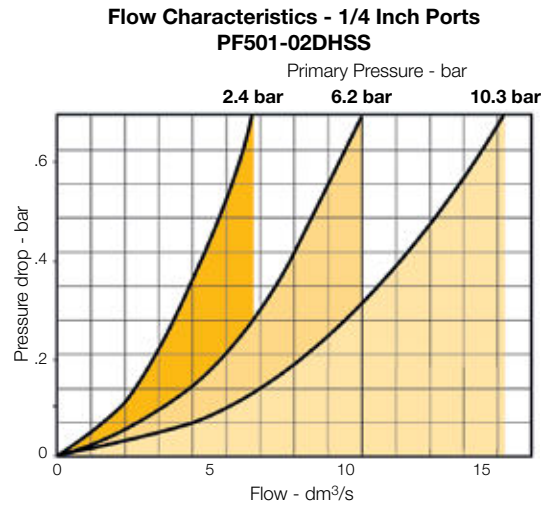
**Materials of Construction**

Body		316 Stainless steel
Bowl		316 Stainless steel
Drain		316 Stainless steel
Element holder		Acetal
Filter element		Borosilicate Fiber
Seals		Flourocarbon

**Dimensions (mm)**



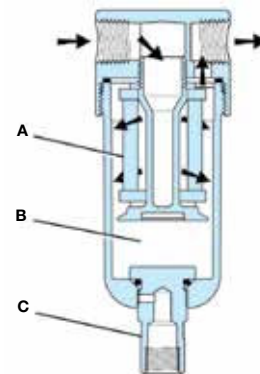
**Flow Charts**



**Accessories**

Filter element kits	0.3 micron	<b>EKF501H</b>
Drain kits	Automatic pulse drain	<b>RK504SY-SS</b>
Manual twist drain	Small (Old)	<b>SA600Y7-1SS</b>
	Large (New)	<b>SAP05481</b>
Pipe nipple	1/4" NPT 316 Stainless Steel	<b>616Y28-SS</b>
	1/4" BSPT 316 Stainless Steel	<b>AC-2SS</b>

**Operation**



The contaminated air enters the element interior and is forced through a thick membrane (A) of "borosilicate" glass fibers coated with epoxy. Flow then passes through the element, and at this stage 99.97% of the sub micronic particles have been removed from the air stream. The tiny droplets coalesce together and are collected from the filter element by the outer drain layer.

The clean, filtered air now passes through and out into the pneumatic system. The air line coalescing filter removes liquid aerosols and sub-micron particulate matter.

Collected liquids and particles in the "quiet zone" (B) should be drained before their level reaches a height where they would be reentrained in the flowing air. This can be accomplished by unscrewing the drain valve (C) slightly until the liquid begins to drain.

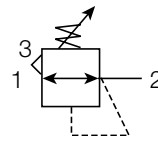
PR354, PR364 Regulator – Miniature

Symbol



PR364

PR354



- Stainless steel construction handles most corrosive environments
- Large diaphragm to valve area ratio for precise regulation and high flow capacity
- Meets NACE specifications MR-01-75/ISO 15156
- High flow: 1/4" – 5.75 dm<sup>3</sup>/s<sup>§</sup>

Options:

<b>PR364</b>		<b>G</b>		<b>02</b>		<b>C</b>			<b>SS</b>		
<b>Series</b>		<b>Port size</b>		<b>Port size</b>		<b>Pressure range</b>		<b>Options</b>		<b>Material</b>	
Stainless steel	<b>PR354</b>	BSPP	<b>G</b>	1/4"	<b>02</b>	0 - 1.7 bar	A	Relieving	<b>Blank</b>	Stainless steel	<b>SS</b>
Standard knob	<b>PR364</b>	NPT	-			0 - 4.1 bar	B	Non-Relieving	K		
						0 - 8.5 bar	<b>C</b>				

**Note:** Bold options are most popular

Port size	Series	Description	Order code	Max bar	Height mm	Width mm	Depth mm
G1/4	<b>PR364</b>	BSPP - Standard knob	<b>PR364G02CSS</b>	20.7	78	40	40
G1/4	<b>PR364</b>	NPT - Standard knob	<b>PR364-02CSS</b>	20.7	78	40	40
G1/4	<b>PR354</b>	BSPP - All metal	<b>PR354G02CSS</b>	20.7	64	40	40
G1/4	<b>PR354</b>	NPT - All metal	<b>PR354-02CSS</b>	20.7	64	40	40

§ dm<sup>3</sup>/s = 7 bar inlet pressure with 5.5 bar set pressure and 1 bar pressure drop.

<b>⚠ Warning</b>
<p><b>Product rupture can cause serious injury.</b>  <b>Do not connect regulator to bottled gas.</b>  <b>Do not exceed maximum primary pressure rating.</b></p>



**Specifications**

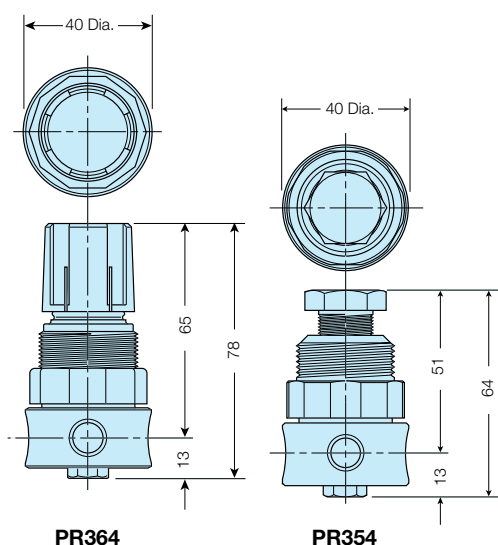
Gauge port	G1/4	
Operation	Flourocarbon diaphragm	
Port threads	G1/4	
Operating temperature	PR354	-18°C to 82°C
	PR364	-18°C to 66°C
Max supply pressure	PR354	0 to 20.7 bar
	PR364	0 to 20.7 bar
Weight	230 g	

**Note:** Air must be dry enough to avoid ice formation at temperatures below 2°C.

**Materials of Construction**

Adjustment mechanism / Springs	316 Stainless steel
Adjustment knob (PR354)	316 Stainless steel
Adjustment knob (PR364)	Polypropylene
Body	316 Stainless steel
Bonnet (PR354)	316 Stainless steel
Bonnet (PR364)	Acetal
Bottom plug	316 Stainless steel
Poppet	316 Stainless steel
Seals	Flourocarbon

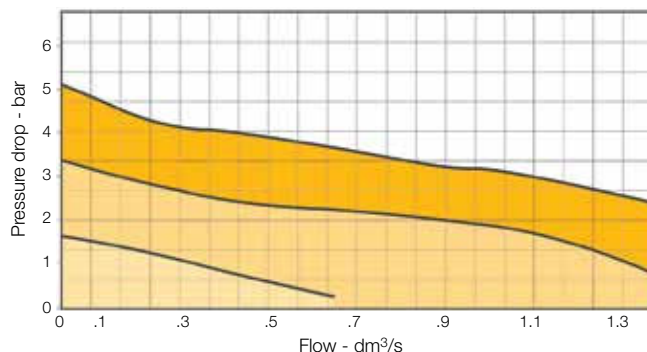
**Dimensions (mm)**



**Note:** 32mm dia. hole required for panel mounting.

**Flow Charts**

**Flow Characteristics - 1/4 Inch Ports  
6.9 bar Primary Pressure**



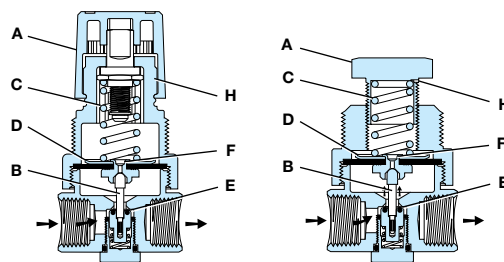
**CAUTION: REGULATOR PRESSURE ADJUSTMENT –**

The working range of knob adjustment is designed to permit outlet pressures within their full range. Pressure adjustment beyond this range is also possible because the knob is not a limiting device. This is a common characteristic of most industrial regulators, and limiting devices may be obtained only by special design. For best performance, regulated pressure should always be set by increasing the pressure up to the desired setting.

**Accessories**

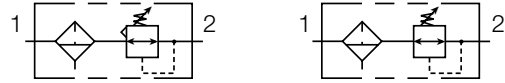
R354 Bonnet Kit	0.3 micron	<b>CKR354YSS</b>
R364 Bonnet Kit	Knob included	<b>CKR364YSS</b>
Gauge - 0 to 10 bar	BSPP	<b>M1/4G40S-10</b>
	NPT	<b>K4520N14160SS</b>
Panel Mount Bracket (Stainless)		<b>161X57-SS</b>
Panel Mount Nut	Stainless	<b>R05X51SS</b>
	Plastic	<b>R05X51-P</b>
Pipe Nipple	1/4" NPT 316 Stainless Steel	<b>616Y28-SS</b>
	1/4" BSPT 316 Stainless Steel	<b>AC-2SS</b>
Service Kit	Relieving	<b>RKR364YSS</b>
	Non-Relieving	<b>RKR364KYSS</b>

**Operation**



With the adjusting knob (A) turned fully counter-clockwise (no spring load), and pressure supplied to the regulator inlet port, the valve poppet assembly (B) is closed. Turning the adjusting knob clockwise applies a load to control spring (C). This load causes the diaphragm (D) and the valve poppet assembly (B) to move downward allowing flow across the seat area (E) created between the poppet assembly and the seat. Pressure in the downstream line is sensed below the diaphragm (D) and offsets the load of spring (C). As downstream pressure rises, poppet assembly (B) and diaphragm (D) move upward until the area (E) is closed and the load of the spring (C) and pressure under diaphragm (D) are in balance. A reduced outlet pressure has now been obtained, depending on spring load. Creating a demand downstream, such as opening a valve, results in a reduced pressure under the diaphragm (D). The load of control spring (C) now causes the poppet assembly to move downward opening seat area (E) allowing air to flow to meet the downstream demand. The flow of downstream air is metered by the amount of opening (E). Should downstream pressure exceed the desired regulated pressure, the excess pressure will cause the diaphragm (D) to move upward against control spring (C), open vent hole (F), and vent the excess pressure to atmosphere through the hole in the bonnet (H). (This occurs in the relieving type regulator only.)

**PB548, PB558 Filter / Regulator – Miniature Symbols**



- Stainless steel construction handles most corrosive environments
- Large diaphragm to valve area ratio for precise regulation and high flow capacity
- Meets NACE specifications MR-01-75/ISO 15156.
- High flow: 1/4" – 5.75 dm<sup>3</sup>/s<sup>§</sup>
- 1/8" female threaded drain

**Options:**

<b>PB548</b>	<b>G</b>	<b>02</b>	<b>D</b>	<b>H</b>	<b>C</b>		<b>SS</b>
<b>Series</b>	<b>Bowl type</b>		<b>Element</b>		<b>Pressure range</b>		<b>Material</b>
Standard knob <b>PB548</b>	Metal bowl <b>D</b>	20µ element <b>H</b>	0 - 1.7 bar <b>A</b>	Stainless steel <b>SS</b>			
Stainless steel <b>PB558</b>	Metal bowl without sight gauge	5µ element <b>G</b>	0 - 4.1 bar <b>B</b>				
			0 - 8.5 bar <b>C</b>				
<b>Port size</b>	<b>Port size</b>						<b>Options</b>
BSPP <b>G</b>	1/4" <b>02</b>						Relieving <b>Blank</b>
NPT -							Non-Relieving <b>K</b>
							Auto Pulse Drain <b>R</b>

**Note:** Bold options are most popular

Port size	Series	Description	Order code	Max bar	Height mm	Width mm	Depth mm
G1/4	<b>PB548</b>	BSPP - Standard knob - Manual drain	<b>PB548G02DHCSS</b>	20.7	147	40	40
G1/4	<b>PB548</b>	BSPP - Standard knob - Auto drain	<b>PB548G02DHCRSS</b>	12.0	147	40	40
G1/4	<b>PB548</b>	NPT - Standard knob - Manual drain	<b>PB548-02DHCSS</b>	20.7	147	40	40
G1/4	<b>PB548</b>	NPT - Standard knob - Auto drain	<b>PB548-02DHCRSS</b>	12.0	147	40	40
G1/4	<b>PB558</b>	BSPP - All metal - Manual drain	<b>PB558G02DHCSS</b>	20.7	78	40	40
G1/4	<b>PB558</b>	BSPP - All metal - Auto drain	<b>PB558G02DHCRSS</b>	12.0	78	40	40
G1/4	<b>PB558</b>	NPT - All metal - Manual drain	<b>PB558-02DHCSS</b>	20.7	78	40	40
G1/4	<b>PB558</b>	NPT - All metal - Auto drain	<b>PB558-02DHCRSS</b>	12.0	78	40	40

<sup>§</sup> dm<sup>3</sup>/s = 7 bar inlet pressure with 5.5 bar set pressure and 1 bar pressure drop.

**Warning**

**Product rupture can cause serious injury. Do not connect regulator to bottled gas. Do not exceed maximum primary pressure rating.**

**Specifications**

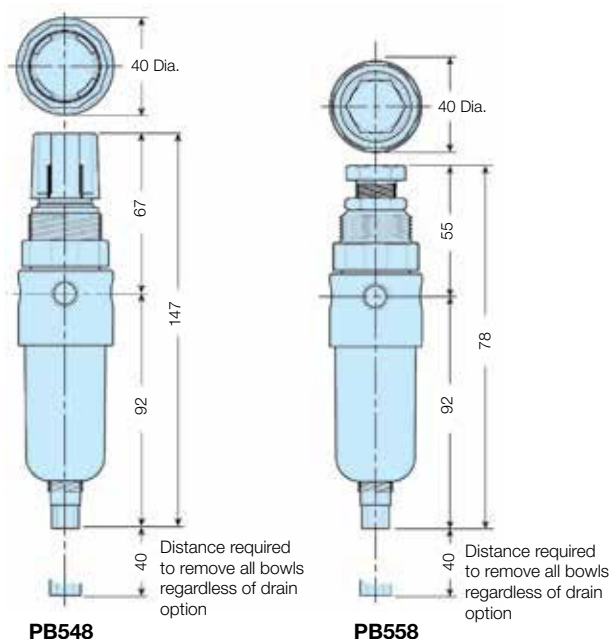
Bowl capacity	29 cm <sup>3</sup>	
Filter rating	20 micron	
Gauge port	G1/4	
Operation	Fluorocarbon diaphragm	
Port threads	G1/4	
Operating temperature	PB548	-18°C to 82°C
	PB558	-18°C to 66°C
	Auto Pulse Drain	0°C to 66°C
Max supply pressure	PB548	0 to 20.7 bar
	PB558	0 to 20.7 bar
	Auto Pulse Drain	0 to 12 bar
Sump capacity	12 cm <sup>3</sup>	
Weight	270 g	

**Note:** Air must be dry enough to avoid ice formation at temperatures below 2°C.

**Materials of Construction**

Adjustment mechanism / Springs	316 Stainless steel
Adjustment knob (PB548)	Polypropylene
Adjustment knob (PB558)	316 Stainless Steel
Body	316 Stainless steel
Bonnet (PB548)	Acetal
Bonnet (PB558)	316 Stainless Steel
Bottom plug	316 Stainless steel
Poppet	316 Stainless steel
Seals	Fluorocarbon

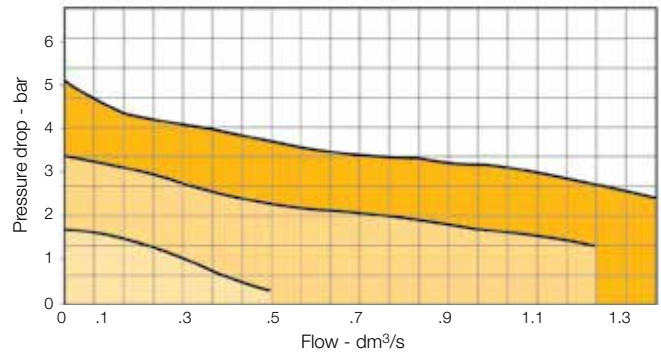
**Dimensions (mm)**



**Note:** 32mm dia. hole required for panel mounting.

**Flow Charts**

**Flow Characteristics - 1/4 Inch Ports  
6.9 bar Primary Pressure**



**CAUTION:**

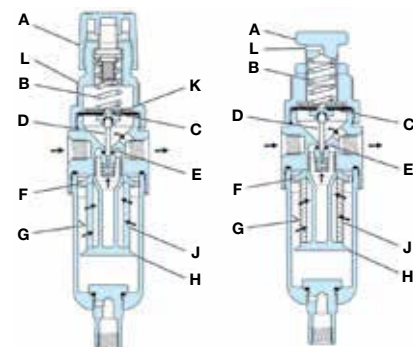
**REGULATOR PRESSURE ADJUSTMENT -**

The working range of knob adjustment is designed to permit outlet pressures within their full range. Pressure adjustment beyond this range is also possible because the knob is not a limiting device. This is a common characteristic of most industrial regulators, and limiting devices may be obtained only by special design. For best performance, regulated pressure should always be set by increasing the pressure up to the desired setting.

**Accessories**

Filter Element Kits	Particulate (5 micron)	<b>EK504VY</b>
	Particulate (20 micron)	<b>EK504Y</b>
Gauge - 0 to 10 bar	BSPP	<b>M1/4G40S-10</b>
	NPT	<b>K4520N14160SS</b>
Drain Kits	Automatic Pulse Drain	<b>RK504SY-SS</b>
Manual Twist Drain	Small (Old)	<b>SA600Y7-1SS</b>
	Large (New)	<b>SAP05481</b>
Panel Mount Bracket (Stainless)		<b>161X57-SS</b>
Panel Mount Nut	Stainless	<b>R05X51SS</b>
	Plastic	<b>R05X51-P</b>
Pipe Nipple	1/4" NPT 316 Stainless Steel	<b>616Y28-SS</b>
	1/4" BSPT 316 Stainless Steel	<b>AC-2SS</b>
Service Kit	Relieving	<b>RK549YSS</b>
	Non-Relieving	<b>RK548YSS</b>

**Operation**

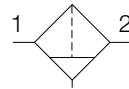


Turning the adjusting knob clockwise applies a load to control spring (B) which forces diaphragm (C) and valve poppet assembly (D) to move downward allowing filtered air to flow through the seat area (E) created between the poppet assembly and the seat. "First stage filtration". Air pressure supplied to the inlet port is directed through deflector plate (F) causing a swirling centrifugal action forcing liquids and coarse particles to the inner bowl wall (G) and down below the lower baffle (H) to the quiet zone. After liquids and large particles are removed in the first stage of filtration "second stage filtration" occurs as air flows through element (J) where smaller particles are filtered out and retained. The air flow now passes through seat area (E) to the outlet port of the unit. Pressure in the downstream line is sensed below the diaphragm (C) and offsets the load of spring (B). When downstream pressure reaches the set-point, poppet valve assembly (D) and diaphragm (C) move upward closing seat area (E). Should downstream pressure exceed the desired regulated pressure, the excess pressure will cause the diaphragm (C) to move upward opening vent hole (K) venting the excess pressure to atmosphere through the hole in the bonnet (L). (This occurs in the standard relieving type filter/regulators only.)

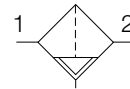
PF10 Filter – Standard



Symbols



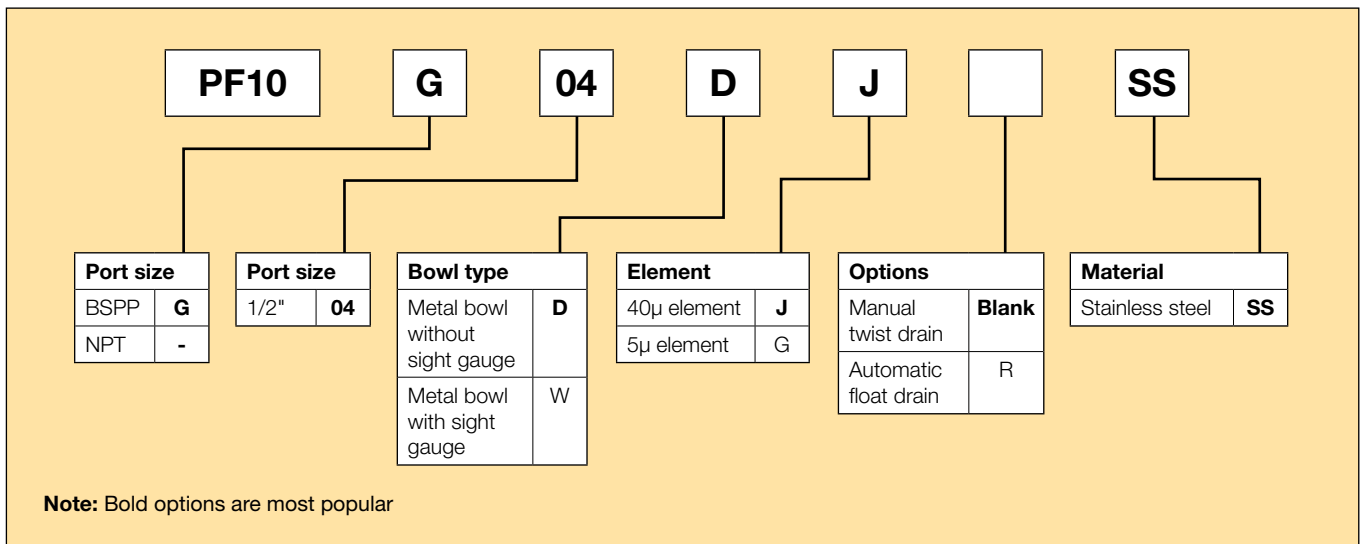
Manual drain



Auto drain

- Stainless steel construction handles most corrosive environments
- Meets NACE specifications MR-01-75/ISO 15156
- High flow: 1/2" - 34 dm<sup>3</sup>/s<sup>§</sup>
- 1/8" female threaded drain

Options:



Port size	Description	Order code	Max bar	Height mm	Width mm	Depth mm
G1/2	BSPP Manual twist drain - Metal bowl - Without sight gauge	<b>PF10G04DJSS</b>	20.7	141	64	60
G1/2	NPT Manual twist drain - Metal bowl - Without sight gauge	<b>PF10-04DJSS</b>	20.7	141	64	60
G1/2	BSPP Manual twist drain - Metal bowl - With sight gauge	<b>PF10G04WJSS</b>	17.2	141	64	60
G1/2	NPT Manual twist drain - Metal bowl - With sight gauge	<b>PF10-04WJSS</b>	17.2	141	64	60
G1/2	BSPP Automatic pulse drain - Metal bowl - Without sight gauge	<b>PF10G04DJRSS</b>	12.0	141	64	60
G1/2	NPT Automatic pulse drain - Metal bowl - Without sight gauge	<b>PF10-04DJRSS</b>	12.0	141	64	60
G1/2	BSPP Automatic pulse drain - Metal bowl - With sight gauge	<b>PF10G04WJRSS</b>	12.0	141	64	60
G1/2	NPT Automatic pulse drain - Metal bowl - With sight gauge	<b>PF10-04WJRSS</b>	12.0	141	64	60

§ dm<sup>3</sup>/s = Flow at 6.2 bar and a 0.3 bar pressure drop

**Specifications**

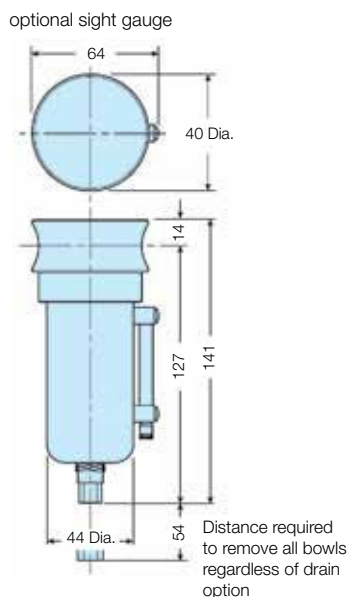
Bowl capacity	118 cm <sup>3</sup>	
Filter rating	40 micron	
Sump capacity	50 cm <sup>3</sup>	
Port threads	G1/2	
Operating temperature	Manual twist drain (D)	-18°C to 82°C
	Manual twist drain (W)	-18°C to 66°C
	Automatic pulse drain	0°C to 66°C
Max supply pressure	Manual twist drain (D)	0 to 20.7 bar
	Manual twist drain (W)	0 to 17.2 bar
	Automatic pulse drain	0 to 12 bar
Weight	850 g	

**Note:** Air must be dry enough to avoid ice formation at temperatures below 2°C.

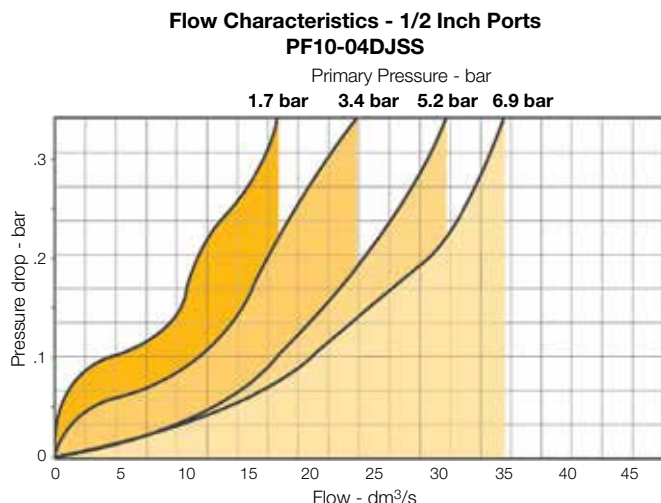
**Materials of Construction**

Body	316 Stainless steel
Bowl	316 Stainless steel
Deflector	Acetal
Drain	316 Stainless steel
Element holder	Acetal
Filter element	Polyethylene
Seals	Flourocarbon
Sight gauge	Isoplast

**Dimensions (mm)**



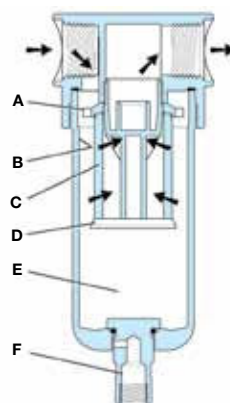
**Flow Charts**



**Accessories**

Filter element kits	Particulate (40 micron)	<b>EK55J</b>
	Particulate (5 micron)	<b>EK55G</b>
Drain kits	Automatic float drain	<b>SA10MDSS</b>
Manual twist drain	Small (Old)	<b>SA600Y7-1SS</b>
	Large (New)	<b>SAP05481</b>
Pipe nipple	1/2" NPT 316 Stainless Steel	<b>616A28-SS</b>
	1/2" BSPT 316 Stainless Steel	<b>AC-4SS</b>

**Operation**



**First Stage Filtration:**

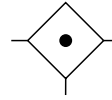
Air enters at inlet port and flows through deflector plate (A) which causes a swirling action. Liquids and coarse particles are forced to the bowl interior wall (B) by the centrifugal action of the swirling air. They are then carried down the bowl wall by the force of gravity. The baffle (D) separates the lower portion of the bowl into a "quiet zone" (E) where the removed liquid and particles collect, unaffected by the swirling air, and are therefore not reentrained into the flowing air.

**Second Stage Filtration:**

After liquids and large particles are removed in the first stages of filtration, the air flows through element (C) where smaller particles are filtered out. The filtered air then passes downstream. Collected liquids and particles in the "quiet zone" (E) should be drained before their level reaches a height where they would be reentrained in the flowing air. This can be accomplished by unscrewing the drain valve (F) slightly until the liquid begins to drain.

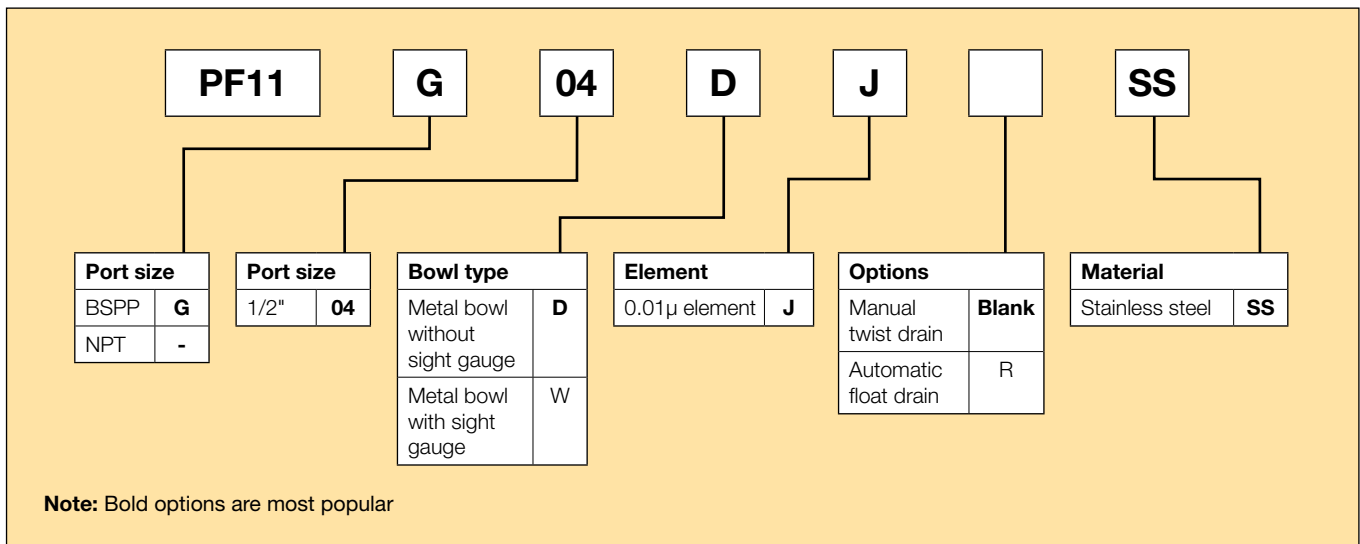
**PF11 Coalescing Filter – Standard**

**Symbols**



- Stainless steel construction handles most corrosive environments
- Meets NACE specifications MR-01-75/ISO 15156
- High flow: 1/2" - 21 dm<sup>3</sup>/s<sup>§</sup>
- 1/8" female threaded drain
- High efficiency 0.01µm filtration
- Removes liquid aerosols and sub micron particles

**Options:**



Port size	Description	Order code	Max bar	Height mm	Width mm	Depth mm
G1/2	BSPP Manual twist drain - Metal bowl - Without sight gauge	<b>PF11G04DJSS</b>	20.7	141	64	60
G1/2	NPT Manual twist drain - Metal bowl - Without sight gauge	<b>PF11-04DJSS</b>	20.7	141	64	60
G1/2	BSPP Manual twist drain - Metal bowl - With sight gauge	<b>PF11G04WJSS</b>	17.2	141	64	60
G1/2	NPT Manual twist drain - Metal bowl - With sight gauge	<b>PF11-04WJSS</b>	17.2	141	64	60
G1/2	BSPP Automatic pulse drain - Metal bowl - Without sight gauge	<b>PF11G04DJRSS</b>	12.0	141	64	60
G1/2	NPT Automatic pulse drain - Metal bowl - Without sight gauge	<b>PF11-04DJRSS</b>	12.0	141	64	60
G1/2	BSPP Automatic pulse drain - Metal bowl - With sight gauge	<b>PF11G04WJRSS</b>	12.0	141	64	60
G1/2	NPT Automatic pulse drain - Metal bowl - With sight gauge	<b>PF11-04WJRSS</b>	12.0	141	64	60

§ dm<sup>3</sup>/s = Flow at 6.2 bar and a 0.3 bar pressure drop

**Specifications**

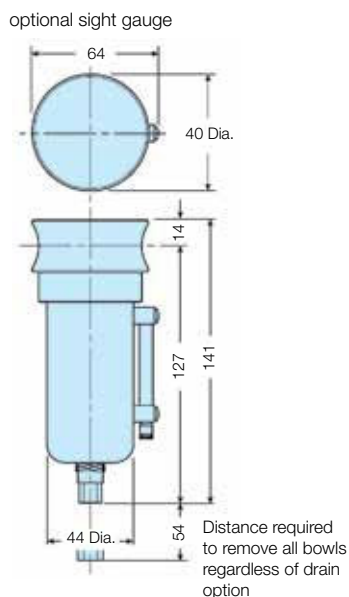
Bowl capacity	118 cm <sup>3</sup>	
Filter rating	0.01 micron	
Sump capacity	50 cm <sup>3</sup>	
Port threads	G1/2	
Operating temperature	Manual twist drain (D)	-18°C to 82°C
	Manual twist drain (W)	-18°C to 66°C
	Automatic pulse drain	0°C to 66°C
Max supply pressure	Manual twist drain (D)	0 to 20.7 bar
	Manual twist drain (W)	0 to 17.2 bar
	Automatic pulse drain	0 to 12 bar
Weight	850 g	

**Note:** Air must be dry enough to avoid ice formation at temperatures below 2°C.

**Materials of Construction**

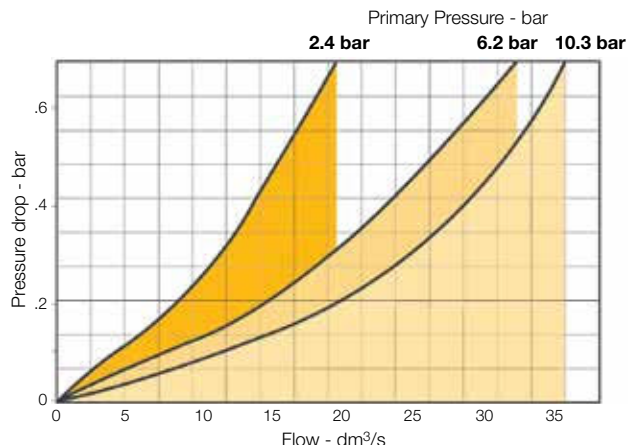
Body	316 Stainless steel	
Bowl	316 Stainless steel	
Drain	316 Stainless steel	
Element holder	Acetal	
Filter element	Borosilicate Fiber	
Seals	Flourocarbon	
Sight gauge	Isoplast	

**Dimensions (mm)**



**Flow Charts**

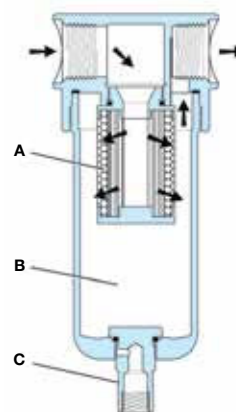
**Flow Characteristics - 1/2 Inch Ports  
PF11-04DJSS**



**Accessories**

Filter element kits	Particulate (0.01 micron)	<b>EKF71</b>
Drain kits	Automatic float drain	<b>SA10MDSS</b>
Manual twist drain	Small (Old)	<b>SA600Y7-1SS</b>
	Large (New)	<b>SAP05481</b>
Pipe nipple	1/2" NPT 316 Stainless Steel	<b>616A28-SS</b>
	1/2" BSPT 316 Stainless Steel	<b>AC-4SS</b>

**Operation**



The contaminated air enters the element interior and is forced through a thick membrane (A) of "borosilicate" glass fibers coated with epoxy. Flow then passes through the element, and at this stage 99.97% of the sub micronic particles have been removed from the air stream. The tiny droplets coalesce together and are collected from the filter element by the outer drain layer.

The clean, filtered air now passes through and out into the pneumatic system. The air line coalescing filter removes liquid aerosols and sub-micron particulate matter.

Collected liquids and particles in the "quiet zone" (B) should be drained before their level reaches a height where they would be reentrained in the flowing air. This can be accomplished by unscrewing the drain valve (C) slightly until the liquid begins to drain.

PR10, PR11 Regulator – Standard

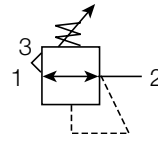
Symbol



PR11



PR10



- Stainless steel construction handles most corrosive environments
- Large daphragm to valve area ratio for precise regulation and high flow capacity
- Meets NACE specifications MR-01-75/ISO 15156
- Low temperature version available
- High flow: 1/2" – 37.75 dm<sup>3</sup>/s<sup>§</sup>

Options:

<b>PR10</b>		<b>G</b>		<b>04</b>		<b>C</b>				<b>SS</b>	
<b>Series</b>		<b>Port size</b>		<b>Port size</b>		<b>Pressure range</b>		<b>Options</b>		<b>Material</b>	
Standard knob	<b>PR10</b>	BSPP	<b>G</b>	1/2"	<b>04</b>	0 - 4.1 bar	B	Relieving	<b>Blank</b>	Stainless steel	<b>SS</b>
Stainless steel tee handle	<b>PR11</b>	NPT	-			0 - 8.5 bar	<b>C</b>	Non-Relieving	K		
						0 - 17 bar	D	Low temp.	L		

**Note:** Bold options are most popular

Port size	Series	Description	Order code	Max bar	Height mm	Width mm	Depth mm
G1/2	<b>PR10</b>	BSPP - Standard knob	<b>PR10G04CSS</b>	20.7	126	62	60
G1/2	<b>PR10</b>	NPT - Standard knob	<b>PR10-04CSS</b>	20.7	126	62	60
G1/2	<b>PR11</b>	BSPP - Stainless steel tee handle	<b>PR11G04CSS</b>	20.7	154	62	60
G1/2	<b>PR11</b>	NPT - Stainless steel tee handle	<b>PR11-04CSS</b>	20.7	154	62	60

§ dm<sup>3</sup>/s = 7 bar inlet pressure with 5.5 bar set pressure and 1 bar pressure drop.

**Warning**

Product rupture can cause serious injury.  
Do not connect regulator to bottled gas.  
Do not exceed maximum primary pressure rating.



**Specifications**

Gauge port	G1/4	
Operation	Flourocarbon diaphragm	
Port threads	G1/2	
Operating temperature	PR10	-18°C to 66°C
	PR11	-18°C to 82°C
Option "L" minimum operating temperature	-40°C	
Max supply pressure	PR10	0 to 20.7 bar
	PR11	0 to 20.7 bar
Weight	810 g	

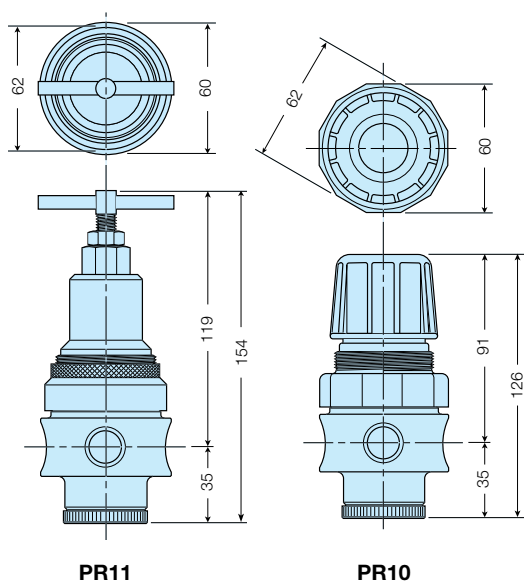
**Note:** Air must be dry enough to avoid ice formation at temperatures below 2°C.

**Note:** "Low Temperature" option is intended for applications where the ambient temperature may be down to -40° C/F. Air supply must be free of moisture to prevent ice formation and malfunction of units. These units contain EPDM seals. Make sure any oils in the airstream are compatible.

**Materials of Construction**

Adjustment mechanism / Springs	316 Stainless steel
Body	316 Stainless steel
Bonnet / Tee handle (PR11)	316 Stainless steel
Bonnet / Knob (PR10)	Acetal
Bottom plug	316 Stainless steel
Poppet	316 Stainless steel
Seals	Flourocarbon

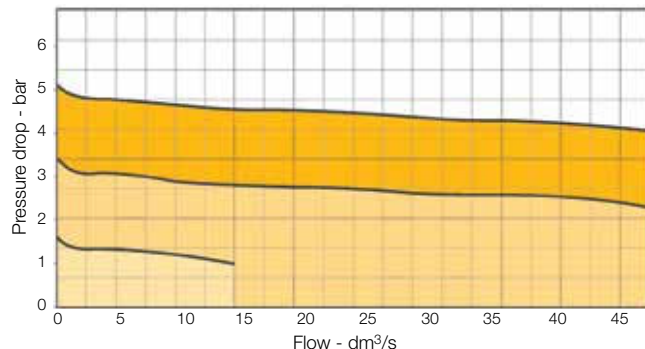
**Dimensions (mm)**



**Note:** 44mm dia. hole required for panel mounting.

**Flow Charts**

**Flow Characteristics - 1/2 Inch Ports  
6.9 bar Primary Pressure**



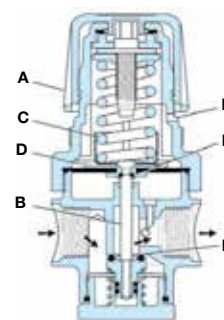
**CAUTION: REGULATOR PRESSURE ADJUSTMENT -**

The working range of knob adjustment is designed to permit outlet pressures within their full range. Pressure adjustment beyond this range is also possible because the knob is not a limiting device. This is a common characteristic of most industrial regulators, and limiting devices may be obtained only by special design. For best performance, regulated pressure should always be set by increasing the pressure up to the desired setting.

**Accessories**

R10 Bonnet Kit	Knob included	<b>CKR10YSS</b>
R11 Bonnet Kit		<b>CKR11YSS</b>
Gauge - 0 to 10 bar	BSPP	<b>M1/4G40S-10</b>
	NPT	<b>K4520N14160SS</b>
Panel Mount Bracket (Stainless)		<b>R10Y57-SS</b>
Panel Mount Nut	Stainless	<b>R10X51SS</b>
	Plastic	<b>R10X51-P</b>
Pipe Nipple	1/2" NPT 316 Stainless Steel	<b>616A28-SS</b>
	1/2" BSPT 316 Stainless Steel	<b>AC-4SS</b>
Service Kit	Relieving	<b>RKR10YSS</b>
	Non-Relieving	<b>RKR10KYSS</b>

**Operation**



With the adjusting knob (A) turned fully counter-clockwise (no spring load), and pressure supplied to the regulator inlet port, the valve poppet assembly (B) is closed. Turning the adjusting knob clockwise applies a load to control spring (C). This load causes the diaphragm (D) and the valve poppet assembly (B) to move downward allowing flow across the seat area (E) created between the poppet assembly and the seat. Pressure in the downstream line is sensed below the diaphragm (D) and offsets the load of spring (C). As downstream pressure rises, poppet assembly (B) and diaphragm (D) move upward until the area (E) is closed and the load of the spring (C) and pressure under diaphragm (D) are in balance. A reduced outlet pressure has now been obtained, depending on spring load. Creating a demand downstream, such as opening a valve, results in a reduced pressure under the diaphragm (D). The load of control spring (C) now causes the poppet assembly to move downward opening seat area (E) allowing air to flow to meet the downstream demand. The flow of downstream air is metered by the amount of opening (E). Should downstream pressure exceed the desired regulated pressure, the excess pressure will cause the diaphragm (D) to move upward against control spring (C), open vent hole (F), and vent the excess pressure to atmosphere through the hole in the bonnet (H). (This occurs in the relieving type regulator only.)

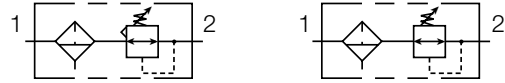
PB11, PB12 Filter / Regulator – Standard

Symbols



PB12

PB11



- Stainless steel construction handles most corrosive environments
- Large diaphragm to valve area ratio for precise regulation and high flow capacity
- Meets NACE specifications MR-01-75/ISO-15156
- Low temperature version available
- High flow: 1/2" – 34 dm<sup>3</sup>/s<sup>§</sup>
- 1/8" female threaded drain

Options:

<b>PB11</b>	<b>G</b>	<b>04</b>	<b>D</b>	<b>J</b>	<b>C</b>		<b>SS</b>
<b>Series</b>		<b>Bowl type</b>	<b>Element</b>	<b>Pressure range</b>		<b>Material</b>	
Standard knob <b>PB11</b>		Metal bowl without sight gauge <b>D</b>	40µ element <b>J</b>	0 - 4.1 bar <b>B</b>		Stainless steel <b>SS</b>	
Stainless steel <b>PB12</b>		Metal bowl with sight gauge <b>W</b>	5µ element <b>G</b>	0 - 8.5 bar <b>C</b>			
				0 - 17 bar <b>D</b>			
<b>Port size</b>		<b>Port size</b>				<b>Options</b>	
BSPP <b>G</b>		1/2" <b>04</b>				Relieving <b>Blank</b>	
NPT <b>-</b>						Non-Relieving <b>K</b>	
						Auto Float Drain <b>R</b>	
						Low Temp.* <b>L</b>	

**Note:** Bold options are most popular

\* Manual drain without sight gauge only

Port size	Series	Description	Order code	Max bar	Height mm	Width mm	Depth mm
G1/2	<b>PB11</b>	BSPP - Standard knob - Manual drain	<b>PB11G04DJCSS</b>	20.7	218	64	60
G1/2	<b>PB11</b>	BSPP - Standard knob - Auto drain	<b>PB11G04DJCRSS</b>	12.0	218	64	60
G1/2	<b>PB11</b>	NPT - Standard knob - Manual drain	<b>PB11-04DJCSS</b>	20.7	218	64	60
G1/2	<b>PB11</b>	NPT - Standard knob - Auto drain	<b>PB11-04DJCRSS</b>	12.0	218	64	60
G1/2	<b>PB12</b>	BSPP - Tee handle - Manual drain	<b>PB12G04DJCSS</b>	20.7	246	64	60
G1/2	<b>PB12</b>	BSPP - Tee handle - Auto drain	<b>PB12G04DJCRSS</b>	12.0	246	64	60
G1/2	<b>PB12</b>	NPT - Tee handle - Manual drain	<b>PB12-04DJCSS</b>	20.7	246	64	60
G1/2	<b>PB12</b>	NPT - Tee handle - Auto drain	<b>PB12-04DJCRSS</b>	12.0	246	64	60

§ dm<sup>3</sup>/s = 7 bar inlet pressure with 5.5 bar set pressure and 1 bar pressure drop.

**Warning**

Product rupture can cause serious injury.  
Do not connect regulator to bottled gas.  
Do not exceed maximum primary pressure rating.

**Specifications**

Bowl capacity	118 cm <sup>3</sup>	
Filter rating	40 micron	
Gauge port	G1/4	
Operation	Fluorocarbon diaphragm	
Port threads	G1/2	
Operating temperature	PB11 (Metal bowl D or W)	-18°C to 66°C
	PB12 (Metal bowl D)	-18°C to 82°C
	PB12 (Metal bowl W)	-18°C to 66°C
	Auto Float Drain	0°C to 66°C
Option "L" minimum operating temperature	-40°C	
Max supply pressure	PB11 (Metal bowl D or W)	0 to 20.7 bar
	PB12 (Metal bowl D)	0 to 20.7 bar
	PB12 (Metal bowl W)	0 to 20.7 bar
	Auto Float Drain	0 to 12 bar

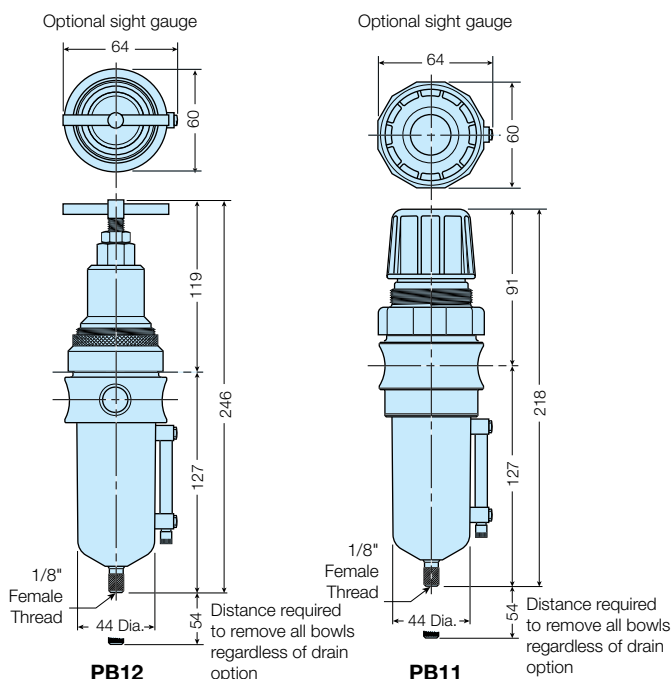
Sump capacity	50 cm <sup>3</sup>
Weight	1090 g

**Note:** Air must be dry enough to avoid ice formation at temperatures below 2°C.  
**Note:** "Low Temperature" option is intended for applications where the ambient temperature may be down to -40° C/F. Air supply must be free of moisture to prevent ice formation and malfunction of units. These units contain EPDM seals. Make sure any oils in the airstream are compatible.

**Materials of Construction**

Adjustment mechanism / Springs	316 Stainless steel
Body	316 Stainless steel
Bonnet / Knob (PB11)	Acetal
Bonnet / Tee handle (PB12)	316 Stainless steel
Bottom plug	316 Stainless steel
Poppet	316 Stainless steel
Seals	Fluorocarbon
Sight gauge	Isoplast

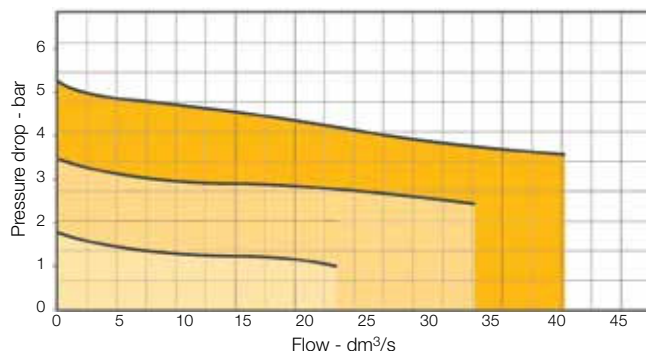
**Dimensions (mm)**



**Note:** 44mm dia. hole required for panel mounting.

**Flow Charts**

**Flow Characteristics - 1/2 Inch Ports  
6.9 bar Primary Pressure**

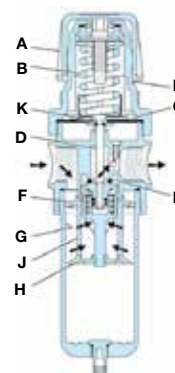


**CAUTION: REGULATOR PRESSURE ADJUSTMENT –**  
 The working range of knob adjustment is designed to permit outlet pressures within their full range. Pressure adjustment beyond this range is also possible because the knob is not a limiting device. This is a common characteristic of most industrial regulators, and limiting devices may be obtained only by special design. For best performance, regulated pressure should always be set by increasing the pressure up to the desired setting.

**Accessories**

Filter Element Kits	Particulate (40 micron)	<b>EKF10Y</b>
	Particulate (5 micron)	<b>EKF10VY</b>
Gauge - 0 to 10 bar	BSPP	<b>M1/4G40S-10</b>
	NPT	<b>K4520N14160SS</b>
Drain Kits	Automatic Float Drain	<b>SA10MDSS</b>
Manual Twist Drain	Small (Old)	<b>SA600Y7-1SS</b>
	Large (New)	<b>SAP05481</b>
Panel Mount Bracket (Stainless)		<b>R10Y57-SS</b>
Panel Mount Nut	Stainless	<b>R10X51SS</b>
	Plastic	<b>R10X51-P</b>
Pipe Nipple	1/2" NPT 316 Stainless Steel	<b>616A28-SS</b>
	1/2" BSPT 316 Stainless Steel	<b>AC-4SS</b>
Service Kit	Relieving	<b>RKR10YSS</b>
	Non-Relieving	<b>RKR10KYSS</b>

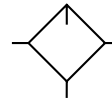
**Operation**



Turning the adjusting knob clockwise applies a load to control spring (B) which forces diaphragm (C) and valve poppet assembly (D) to move downward allowing filtered air to flow through the seat area (E) created between the poppet assembly and the seat. "First stage filtration". Air pressure supplied to the inlet port is directed through deflector plate (F) causing a swirling centrifugal action forcing liquids and coarse particles to the inner bowl wall (G) and down below the lower baffle (H) to the quiet zone. After liquids and large particles are removed in the first stage of filtration "second stage filtration" occurs as air flows through element (J) where smaller particles are filtered out and retained. The air flow now passes through seat area (E) to the outlet port of the unit. Pressure in the downstream line is sensed below the diaphragm (C) and offsets the load of spring (B). When downstream pressure reaches the set-point, poppet valve assembly (D) and diaphragm (C) move upward closing seat area (E). Should downstream pressure exceed the desired regulated pressure, the excess pressure will cause the diaphragm (C) to move upward opening vent hole (K) venting the excess pressure to atmosphere through the hole in the bonnet (L). (This occurs in the standard relieving type filter/regulators only.)

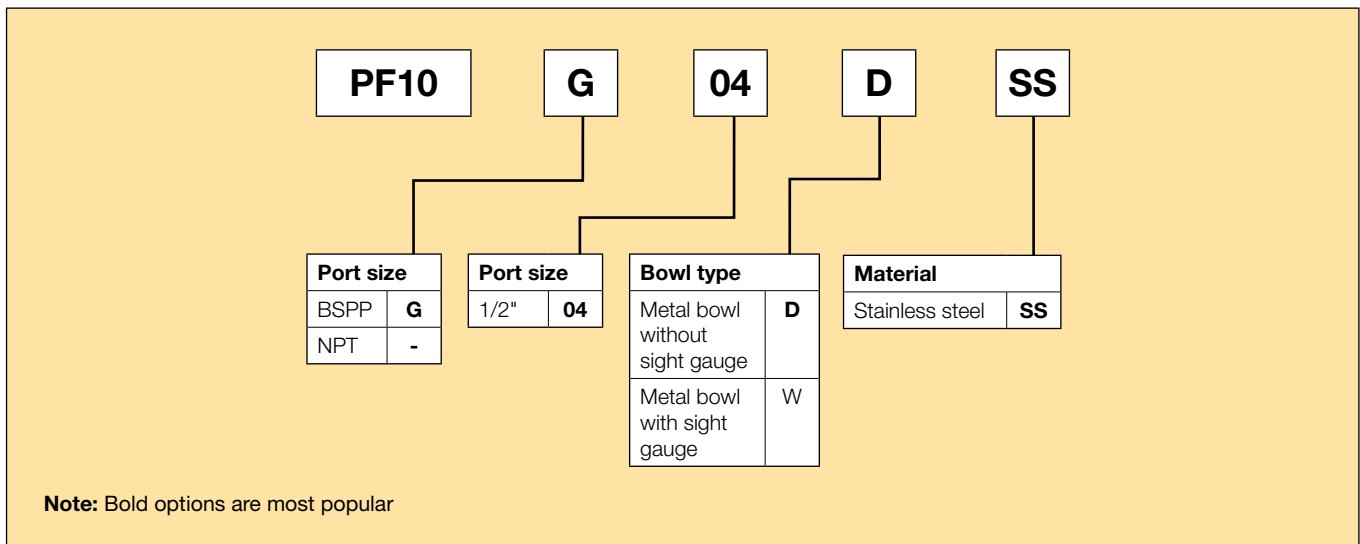
PL10 Lubricator – Standard

Symbols



- Stainless steel construction handles most corrosive environments
- Fillable under pressure
- Meets NACE specifications MR-01-75/ISO 15156
- High flow: 1/2" - 47 dm<sup>3</sup>/s<sup>§</sup>
- 1/8" female threaded drain

Options:



Port size	Description	Order code	Max bar	Height mm	Width mm	Depth mm
G1/2	BSPP Manual twist drain - Metal bowl - Without sight gauge	<b>PL10G04DSS</b>	20.7	173	64	60
G1/2	NPT Manual twist drain - Metal bowl - Without sight gauge	<b>PL10-04DSS</b>	20.7	173	64	60
G1/2	BSPP Manual twist drain - Metal bowl - With sight gauge	<b>PL10G04WSS</b>	17.2	173	64	60
G1/2	NPT Manual twist drain - Metal bowl - With sight gauge	<b>PL10-04WSS</b>	17.2	173	64	60

§ dm<sup>3</sup>/s = Flow at 6.2 bar and a 0.3 bar pressure drop

**Specifications**

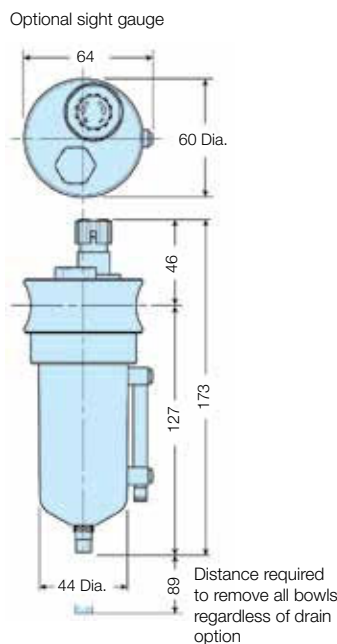
Bowl capacity	118 cm <sup>3</sup>	
Port threads	G1/2	
Operating temperature	Metal bowl (D)	-18°C to 66°C
	Metal bowl (W)	-18°C to 66°C
Max supply pressure	Metal bowl (D)	0 to 20.7 bar
	Metal bowl (W)	0 to 17.2 bar
Weight	850 g	

**Note:** Air must be dry enough to avoid ice formation at temperatures below 2°C.

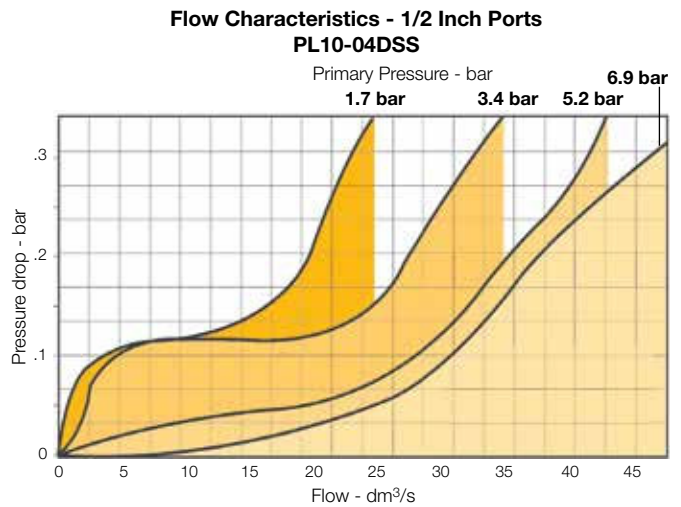
**Materials of Construction**

Body	316 Stainless steel
Bowl	316 Stainless steel
Dip tube	316 Stainless steel
Drain	316 Stainless steel
Fill plug	316 Stainless steel
Seals	Flourocarbon
Sight dome	Nylon
Sight gauge	Isoplast

**Dimensions (mm)**



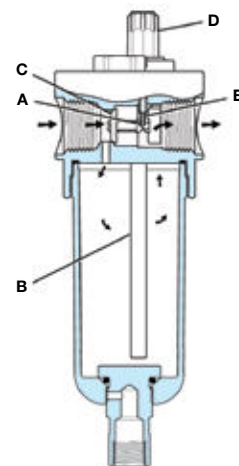
**Flow Charts**



**Accessories**

Manual twist drain	Small (Old)	<b>SA600Y7-1SS</b>
	Large (New)	<b>SAP05481</b>
Pipe nipple	1/2" NPT 316 Stainless Steel	<b>616A28-SS</b>
	1/2" BSPT 316 Stainless Steel	<b>AC-4SS</b>
Sight dome kit		<b>RKL10SS</b>

**Operation**



Air flowing through the unit goes through two paths. At low flow rates the majority of the air flows through the Venturi section (A). The rest of the air opens the check valve (C). The velocity of the air flowing through the Venturi section (A) creates a pressure drop. This lower pressure allows the oil to be forced from the reservoir through the pickup tube (B) and travels up to the metering screw (D). The rate of oil delivery is then controlled by adjusting the metering screw (D). Oil flows past the metering screw (D) and forms a drop in the nozzle tube (E). As the oil drops through the dome (F) and back into the Venturi section (A), it is broken up into fine particles. It is then mixed with the air flowing past the check valve (C) and is carried downstream. As the air flow increases the check valve (C) will open more fully. This additional flow will assure that the oil delivery rate will increase linearly with the increase of air flow.





# Parker Worldwide

## Europe, Middle East, Africa

**AE – United Arab Emirates,** Dubai  
Tel: +971 4 8127100  
parker.me@parker.com

**AT – Austria,** Wiener Neustadt  
Tel: +43 (0)2622 23501-0  
parker.austria@parker.com

**AT – Eastern Europe,** Wiener Neustadt  
Tel: +43 (0)2622 23501 900  
parker.easteurope@parker.com

**AZ – Azerbaijan,** Baku  
Tel: +994 50 2233 458  
parker.azerbaijan@parker.com

**BE/LU – Belgium,** Nivelles  
Tel: +32 (0)67 280 900  
parker.belgium@parker.com

**BG – Bulgaria,** Sofia  
Tel: +359 2 980 1344  
parker.bulgaria@parker.com

**BY – Belarus,** Minsk  
Tel: +48 (0)22 573 24 00  
parker.poland@parker.com

**CH – Switzerland,** Etoy  
Tel: +41 (0)21 821 87 00  
parker.switzerland@parker.com

**CZ – Czech Republic,** Klecany  
Tel: +420 284 083 111  
parker.czechrepublic@parker.com

**DE – Germany,** Kaarst  
Tel: +49 (0)2131 4016 0  
parker.germany@parker.com

**DK – Denmark,** Ballerup  
Tel: +45 43 56 04 00  
parker.denmark@parker.com

**ES – Spain,** Madrid  
Tel: +34 902 330 001  
parker.spain@parker.com

**FI – Finland,** Vantaa  
Tel: +358 (0)20 753 2500  
parker.finland@parker.com

**FR – France,** Contamine s/Arve  
Tel: +33 (0)4 50 25 80 25  
parker.france@parker.com

**GR – Greece,** Athens  
Tel: +30 210 933 6450  
parker.greece@parker.com

**HU – Hungary,** Budaörs  
Tel: +36 23 885 470  
parker.hungary@parker.com

**IE – Ireland,** Dublin  
Tel: +353 (0)1 466 6370  
parker.ireland@parker.com

**IL – Israel**  
Tel: +39 02 45 19 21  
parker.israel@parker.com

**IT – Italy,** Corsico (MI)  
Tel: +39 02 45 19 21  
parker.italy@parker.com

**KZ – Kazakhstan,** Almaty  
Tel: +7 7273 561 000  
parker.easteurope@parker.com

**NL – The Netherlands,** Oldenzaal  
Tel: +31 (0)541 585 000  
parker.nl@parker.com

**NO – Norway,** Asker  
Tel: +47 66 75 34 00  
parker.norway@parker.com

**PL – Poland,** Warsaw  
Tel: +48 (0)22 573 24 00  
parker.poland@parker.com

**PT – Portugal**  
Tel: +351 22 999 7360  
parker.portugal@parker.com

**RO – Romania,** Bucharest  
Tel: +40 21 252 1382  
parker.romania@parker.com

**RU – Russia,** Moscow  
Tel: +7 495 645-2156  
parker.russia@parker.com

**SE – Sweden,** Spånga  
Tel: +46 (0)8 59 79 50 00  
parker.sweden@parker.com

**SL – Slovenia,** Novo Mesto  
Tel: +386 7 337 6650  
parker.slovenia@parker.com

**TR – Turkey,** Istanbul  
Tel: +90 216 4997081  
parker.turkey@parker.com

**UA – Ukraine,** Kiev  
Tel: +48 (0)22 573 24 00  
parker.poland@parker.com

**UK – United Kingdom,** Warwick  
Tel: +44 (0)1926 317 878  
parker.uk@parker.com

**ZA – South Africa,** Kempton Park  
Tel: +27 (0)11 961 0700  
parker.southafrica@parker.com

## North America

**CA – Canada,** Milton, Ontario  
Tel: +1 905 693 3000

**US – USA,** Cleveland  
Tel: +1 216 896 3000

## Asia Pacific

**AU – Australia,** Castle Hill  
Tel: +61 (0)2-9634 7777

**CN – China,** Shanghai  
Tel: +86 21 2899 5000

**HK – Hong Kong**  
Tel: +852 2428 8008

**IN – India,** Mumbai  
Tel: +91 22 6513 7081-85

**JP – Japan,** Tokyo  
Tel: +81 (0)3 6408 3901

**KR – South Korea,** Seoul  
Tel: +82 2 559 0400

**MY – Malaysia,** Shah Alam  
Tel: +60 3 7849 0800

**NZ – New Zealand,** Mt Wellington  
Tel: +64 9 574 1744

**SG – Singapore**  
Tel: +65 6887 6300

**TH – Thailand,** Bangkok  
Tel: +662 186 7000

**TW – Taiwan,** Taipei  
Tel: +886 2 2298 8987

## South America

**AR – Argentina,** Buenos Aires  
Tel: +54 3327 44 4129

**BR – Brazil,** Sao Jose dos Campos  
Tel: +55 800 727 5374

**CL – Chile,** Santiago  
Tel: +56 2 623 1216

**MX – Mexico,** Toluca  
Tel: +52 72 2275 4200

European Product Information Centre

Free phone: 00 800 27 27 5374

(from AT, BE, CH, CZ, DE, DK, EE, ES, FI, FR, IE, IL, IS, IT, LU, MT, NL, NO, PL, PT, RU, SE, SK, UK, ZA)

### Parker Hannifin Ltd.

Tachbrook Park Drive  
Tachbrook Park,  
Warwick, CV34 6TU  
United Kingdom  
Tel.: +44 (0) 1926 317 878  
Fax: +44 (0) 1926 317 855  
parker.uk@parker.com  
www.parker.com

