



aerospace  
climate control  
electromechanical  
filtration  
**fluid & gas handling**  
hydraulics  
pneumatics  
process control  
sealing & shielding



**High Flow Valve Actuation Range**  
NAMUR Valves G1/4" & G1/2"  
Piped Valves G1/4" & G1/2"  
Banjo Valves G1/8" & G1/4"  
for Control of Pneumatic Actuators



ENGINEERING YOUR SUCCESS.

# Market Description

Process industries  
 Chemical, Petrochemical industries  
 Oil & Gas  
 Water & Sewage  
 Pulp & Paper  
 Food & Beverage  
 Pharmaceutical industry  
 Powder Dosing-Transportation  
 Air Dryers

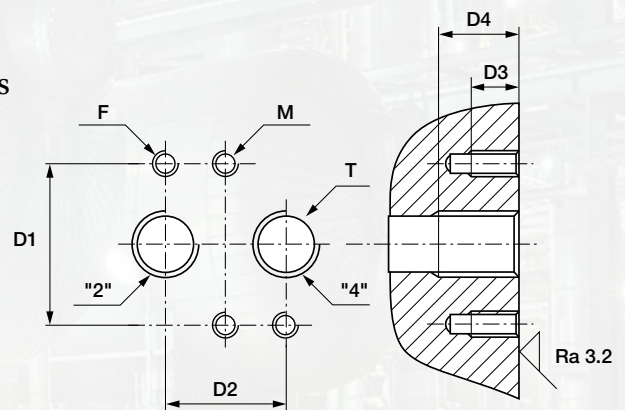


# Description of Applications

Control of single or double acting pneumatic actuators, in safe or dangerous areas.

# NAMUR Interfaces 1/4" & 1/2"

The interface design is conform to the NAMUR standard and to the VDI/VDE 3845 recommendations of the actuator industry. It allows a compact design of the actuator/valve unit. In case of a 3/2 function, the air of the actuator spring chamber also flows through the pilot valve (re-breather function). This prevents corrosion of the actuator springs.



F	T	D1 mm	D2 mm	D3 mm	D4 min. mm	M
M5	1/4	32	24	8	12	M5
M6	1/2	45	40	10	16	M6

F: 2 mounting holes - T: 2 actuators control port - M: 2 holes for dowel pins

# Customer Value Proposition

- High flow: 1.250 l/min (1/4"), 3.000 l/min (1/2")
- Compact design
- Long life expectancy
- Coil Modularity: a large part of the range is compatible with different types of coils, ATEX, non ATEX and Low Power
- Fail safe standard
- Reduced inventory (3/2 & 5/2 functions with the same valve on 341Nx5 series)
- Mechanical part of the valve ATEX certified according standard EN 13463-1 & -5 (with maximum capability of zone 1-21 )



## General Information

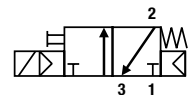
<b>Function:</b>	3/2, 5/2, 3/2 <=> 5/2 and 5/3 valves.
<b>Manual override:</b>	Standard on all versions.
<b>Design:</b>	Nxx & Pxx Series: Solenoid operated spool valve with combined spring and air return & external air pressure operated versions. B0x Series: Solenoid direct acting valve with spring return.
<b>Mounting:</b>	Nxx Series: For direct mounting on NAMUR interface 1/4" & 1/2" Pxx Series: Piped valves G1/4" & G1/2" Bxx Series: Equipped with a banjo bolt G1/8" or G1/4"
<b>Mounting position:</b>	Indifferent.
<b>Material specifications:</b>	Aluminium body. Internal parts of stainless steel. Sealing material from NBR.
<b>Range of admissible pressure drop:</b>	$\Delta p$ min. = see table. $\Delta p$ max. = 10 bar.
<b>Media:</b>	Dry or lubricated air.
<b>Fluid temperature:</b>	-20°C to +50°C
<b>Ambient temperature:</b>	-20°C to +50°C
<b>Electrical part:</b>	N0x / P0x / Bxx series are compatible with coils 496131 / 496482 / 496637 N3x / P3x series are compatible with coils part of electrical group 2.0 (8/9W), including 481865 / 495870 / 495905 N3x90 series are compatible with coils from electrical group 6.0,7.0,8.0 including 495900,495910,483580.01. N3x96/97 series are compatible with coils from electrical group 6.0 & 8.0 including 482740, 496125, 495910, 495900.
<b>Solenoid duty:</b>	100% ED.
<b>Voltage:</b>	From 12 VDC to 48 VDC From 24 VAC to 230 VAC
<b>Voltage tolerance:</b>	See coil specification
<b>Class of insulation material:</b>	Class F or H
<b>Standards:</b>	Mechanical ATEX conform to EN 13463-1 & -5.

# NAMUR Valves G1/4" Series

## Solenoid Operated Versions N03-N05 Series

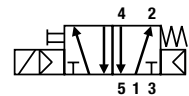
Port size	Orifice	Q <sub>n</sub>	Admissible differential pressure (bar) maximum			Fluid Temperature		Seat disc	Reference number			Atex Zone	Consumption Power (Watt)		Weight (g)	Elect. Group	Dim. Ref.
			min	DC=	AC~	Min °C	Max °C		Valve without man. over.	Valve with man. over.	Housing		Coil	DC=			
G	mm	l/min															

### 3/2 Solenoid operated Combined spring & air return (monostable)



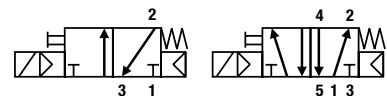
1/4	7	1250	2.5	10	10	-20	50	NBR	331N03	-	496131	-	3	3	300	1.2	1
1/4	7	1250	2.5	10	10	-20	50	NBR	331N03	-	496482	-	3	3	300	1.2	1
1/4	7	1250	2.5	10	10	-20	50	NBR	331N03	-	496637	2-22	3	3	300	1.2	1

### 5/2 Solenoid operated Combined spring & air return (monostable)



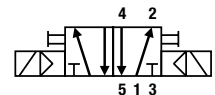
1/4	7	1250	2.5	10	10	-20	50	NBR	341N03	-	496131	-	3	3	300	1.2	2
1/4	7	1250	2.5	10	10	-20	50	NBR	341N03	-	496482	-	3	3	300	1.2	2
1/4	7	1250	2.5	10	10	-20	50	NBR	341N03	-	496637	2-22	3	3	300	1.2	2

### 3/2 <=> 5/2 with conversion plate - Solenoid operated Combined spring & air return (monostable)



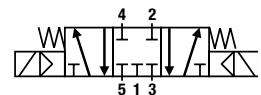
1/4	7	1250	2.5	10	10	-20	50	NBR	341N0502	341N05	-	496131	-	3	3	310	1.2	3
1/4	7	1250	2.5	10	10	-20	50	NBR	341N0502	341N05	-	496482	-	3	3	310	1.2	3
1/4	7	1250	2.5	10	10	-20	50	NBR	341N0502	341N05	-	496637	2-22	3	3	310	1.2	3

### 5/2 Solenoid operated and return (bistable)



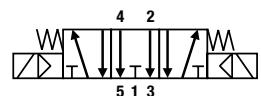
1/4	7	1250	2.5	10	10	-20	50	NBR	347N03	-	496131	-	3	3	430	1.2	4
1/4	7	1250	2.5	10	10	-20	50	NBR	347N03	-	496482	-	3	3	430	1.2	4
1/4	7	1250	2.5	10	10	-20	50	NBR	347N03	-	496637	2-22	3	3	430	1.2	4

### 5/3 W1 closed in center position Solenoid operated and return



1/4	7	1250	2.5	10	10	-20	50	NBR	342N03	-	496131	-	3	3	430	1.2	4
1/4	7	1250	2.5	10	10	-20	50	NBR	342N03	-	496482	-	3	3	430	1.2	4
1/4	7	1250	2.5	10	10	-20	50	NBR	342N03	-	496637	2-22	3	3	430	1.2	4

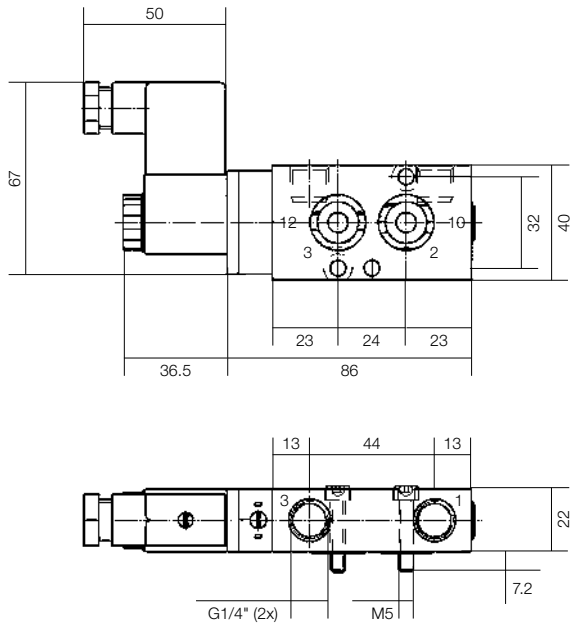
### 5/3 W3 exhausted in center position Solenoid operated and return



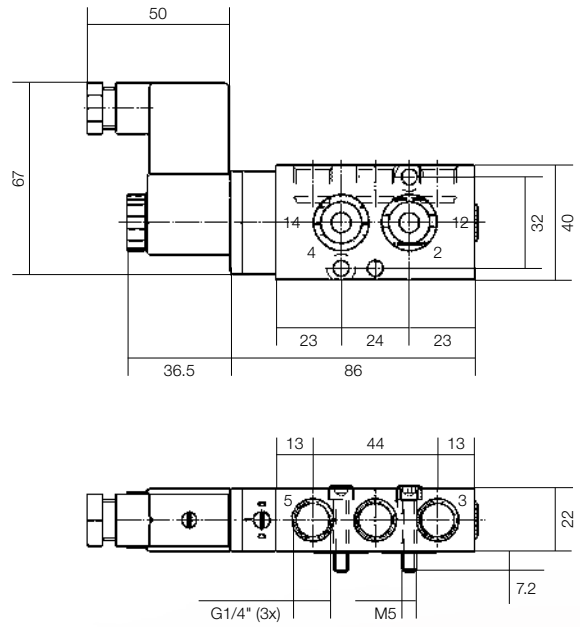
1/4	7	1250	2.5	10	10	-20	50	NBR	343N03	-	496131	-	3	3	430	1.2	4
-----	---	------	-----	----	----	-----	----	-----	--------	---	--------	---	---	---	-----	-----	---

Please consult the "How to Order" part at the end of each coil chapter.

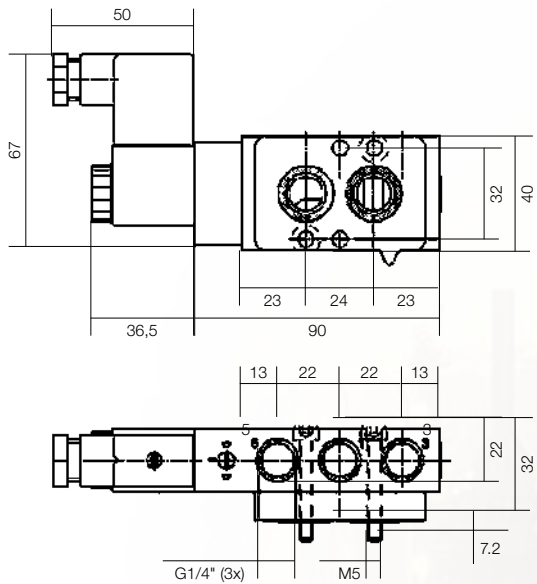
### Dimensions Reference 1



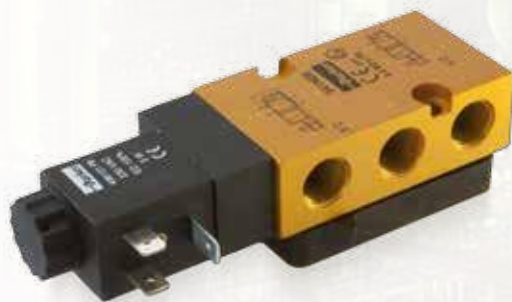
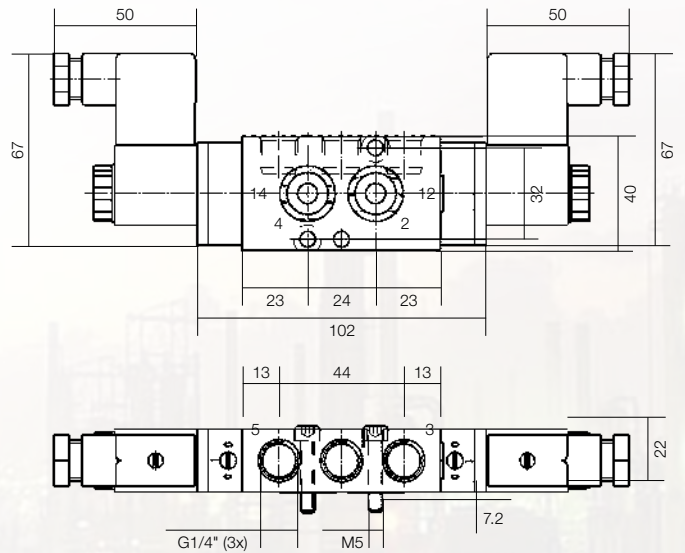
### Dimensions Reference 2



### Dimensions Reference 3



### Dimensions Reference 4

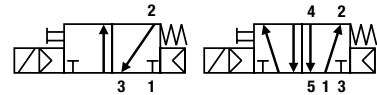


# NAMUR Valves G1/4" Series

## Solenoid Operated Versions N33-N35 Series

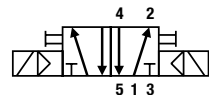
Port size	Orifice	Q <sub>n</sub>	Admissible differential pressure (bar) maximum			Fluid Temperature		Seat disc	Reference number			Atex Zone	Consumption Power (Watt)		Weight (g)	Elect. Group	Dim. Ref.
			min	DC=	AC~	Min °C	Max °C		Valve without man. over.	Valve with man. over.	Housing		Coil	DC=			
G	mm	l/min															

### 3/2 <=>5/2 with conversion plate - Solenoid operated Combined spring & air return (monostable)



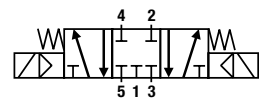
1/4	7	1250	2.5	10	10	-20	50	NBR	341N3502	341N35	2995	481865	-	9	8	480	2.0	5
1/4	7	1250	2.5	10	10	-20	50	NBR	341N3502	341N35	2995	495870	2-22	9	8	500	2.0	5
1/4	7	1250	2.5	10	10	-20	50	NBR	341N3502	341N35	-	495905	1-21	8	8	740	2.0	-
1/4	7	1250	2.5	10	-	-20	50	NBR	341N3590	-	-	483580.01	1-21	0.5-3	-	560	7.0	5
1/4	7	1250	2.5	10	-	-20	50	NBR	341N3590	-	-	495910	1-21	0.3-3	-	920	8.0	-
1/4	7	1250	2.5	10	10	-20	50	NBR	341N3590	-	-	495900	1-21	2	2,5	920	6.0	-
1/4	7	1250	2.5	10	-	-20	50	NBR	341N3596	341N3597	2995	482740	-	1,6	-	480	6.0	5
1/4	7	1250	2.5	10	-	-20	50	NBR	341N3596	341N3597	2995	496125	2-22	1,6	-	500	6.0	5
1/4	7	1250	2.5	10	-	-20	50	NBR	341N3596	341N3597	-	495910	1-21	0.3-3	-	920	8.0	-
1/4	7	1250	2.5	10	10	-20	50	NBR	341N3596	341N3597	-	495900	1-21	2	2,5	920	6.0	-

### 5/2 Solenoid operated and return



1/4	7	1250	2.5	10	10	-20	50	NBR		347N33	2995	481865	-	9	8	750	2.0	6
1/4	7	1250	2.5	10	10	-20	50	NBR		347N33	2995	495870	2-22	9	8	790	2.0	6
1/4	7	1250	2.5	10	10	-20	50	NBR		347N33	-	495905	1-21	8	8	1270	2.0	-
1/4	7	1250	2.5	10	-	-20	50	NBR	347N3390	-	-	483580.01	1-21	0.5-3	-	790	7.0	6
1/4	7	1250	2.5	10	-	-20	50	NBR	347N3390	-	-	495910	1-21	0.3-3	-	1420	8.0	-
1/4	7	1250	2.5	10	10	-20	50	NBR	347N3390	-	-	495900	1-21	2	2,5	1420	6.0	-
1/4	7	1250	2.5	10	-	-20	50	NBR	347N3396	347N3397	2995	482740	-	1,6	-	750	6.0	6
1/4	7	1250	2.5	10	-	-20	50	NBR	347N3396	347N3397	2995	496125	2-22	1,6	-	790	6.0	6
1/4	7	1250	2.5	10	-	-20	50	NBR	347N3396	347N3397	-	495910	1-21	0.3-3	-	1420	8.0	-
1/4	7	1250	2.5	10	10	-20	50	NBR	347N3396	347N3397	-	495900	1-21	2	2,5	1420	6.0	-

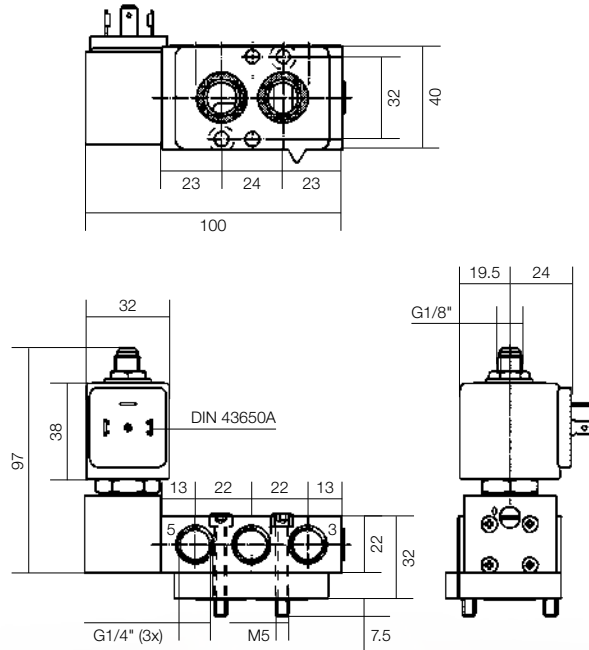
### 5/3 W1 Closed in center position Solenoid operated and return



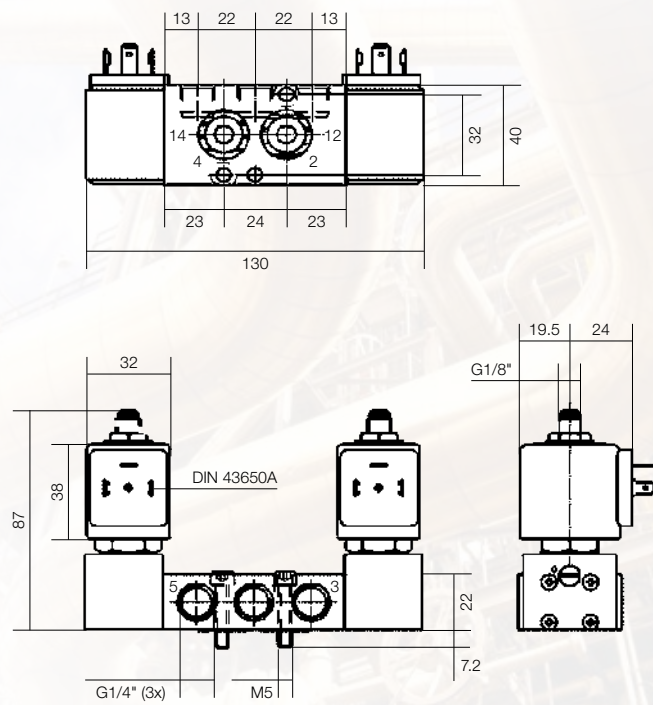
1/4	7	1250	2.5	10	10	-20	50	NBR		342N33	2995	481865	-	9	8	750	2.0	6
1/4	7	1250	2.5	10	10	-20	50	NBR		342N33	2995	495870	2-22	9	8	790	2.0	6
1/4	7	1250	2.5	10	10	-20	50	NBR		342N33	-	495905	1-21	8	8	1270	2.0	-
1/4	7	1250	2.5	10	-	-20	50	NBR	342N3396	342N3397	2995	482740	-	1,6	-	750	6.0	6
1/4	7	1250	2.5	10	-	-20	50	NBR	342N3396	342N3397	2995	496125	2-22	1,6	-	790	6.0	6
1/4	7	1250	2.5	10	-	-20	50	NBR	342N3396	342N3397	-	495910	1-21	0.3-3	-	1420	8.0	-
1/4	7	1250	2.5	10	10	-20	50	NBR	342N3396	342N3397	-	495900	1-21	2	2,5	1420	6.0	-

Please consult the "How to Order" part at the end of each coil chapter.

## Dimensions Reference 5



## Dimensions Reference 6

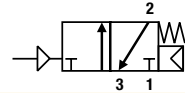


# NAMUR Valves G1/4" Series

## External Pressure Air Operated Series 5xx N03 Series

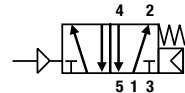
Port size	Orifice	Q <sub>N</sub>	Admissible differential pressure (bar) maximum			Fluid Temperature		Seat disc	Reference number			Consumption Power (Watt)		Weight (g)	Elect. Group	Dim. Ref.
			min	DC=	AC~	Min °C	Max °C		Valve without man. over.	Housing	Coil	DC=	AC~			
G	mm	l/min														

**3/2 External pressure air operated  
Combined spring & air return (monostable)  
External pressure supply 2.5 to 10 bar**



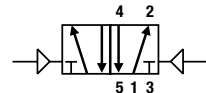
1/4	7	1250	2.5	10	10	-20	50	NBR	<b>531N03</b>	-	w/o	-	-	210	-	7
-----	---	------	-----	----	----	-----	----	-----	---------------	---	-----	---	---	-----	---	---

**5/2 External pressure air operated  
Combined spring & air return (monostable)  
External pressure supply 2.5 to 10 bar**



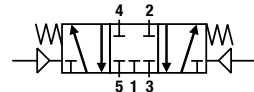
1/4	7	1250	2.5	10	10	-20	50	NBR	<b>541N03</b>	-	w/o	-	-	210	-	8
-----	---	------	-----	----	----	-----	----	-----	---------------	---	-----	---	---	-----	---	---

**5/2 External pressure air operated  
External pressure air return (bistable)  
External pressure supply 2.5 to 10 bar**



1/4	7	1250	2.5	10	10	-20	50	NBR	<b>547N03</b>	-	w/o	-	-	240	-	9
-----	---	------	-----	----	----	-----	----	-----	---------------	---	-----	---	---	-----	---	---

**5/3 W1 closed in center position - External pressure air operated  
External pressure air return  
External pressure supply 2.5 to 10 bar**

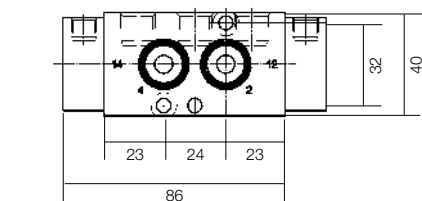
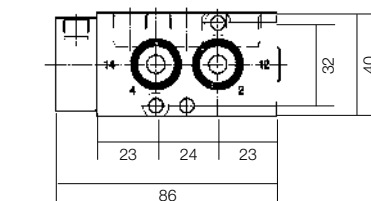
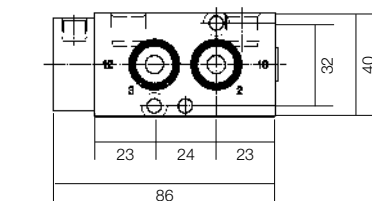


1/4	7	1250	2.5	10	10	-20	50	NBR	<b>542N03</b>	-	w/o	-	-	240	-	9
-----	---	------	-----	----	----	-----	----	-----	---------------	---	-----	---	---	-----	---	---

Dimensions Reference 7

Dimensions Reference 8

Dimensions Reference 9



Please consult the "How to Order" part at the end of each coil chapter.

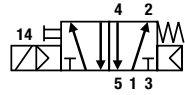


# NAMUR Valves G1/2" Series

## Solenoid Operated Versions N04 Versions

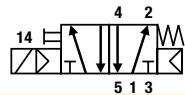
Port size	Orifice	Q <sub>N</sub>	Admissible differential pressure (bar) maximum			Fluid Temperature		Seat disc	Reference number			Atex Zone	Consumption Power (Watt)		Weight (g)	Elect. Group	Dim. Ref.
			min	DC=	AC~	Min °C	Max °C		Valve without man. over.	Valve with man. over.	Housing		Coil	DC=			

### 3/2 Solenoid operated Combined spring & air return (monostable)



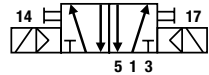
1/2	12	3000	2.5	10	10	-20	50	NBR	331N0402	331N04	-	496131	-	3	3	910	1.2	10
1/2	12	3000	2.5	10	10	-20	50	NBR	331N0402	331N04	-	496482	-	3	3	925	1.2	10
1/2	12	3000	2.5	10	10	-20	50	NBR	331N0402	331N04	-	496637	2-22	3	3	925	1.2	10

### 5/2 Solenoid operated Combined spring & air return (monostable)



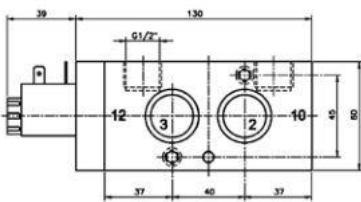
1/2	12	3000	2.5	10	10	-20	50	NBR	341N04	-	496131	-	3	3	910	1.2	11
1/2	12	3000	2.5	10	10	-20	50	NBR	341N04	-	496482	-	3	3	925	1.2	11
1/2	12	3000	2.5	10	10	-20	50	NBR	341N04	-	496637	2-22	3	3	925	1.2	11

### 5/2 Solenoid operated and return (bistable)

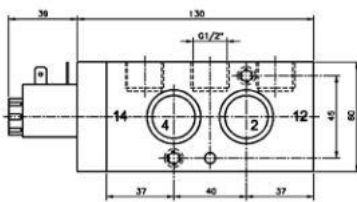


1/2	12	3000	2.5	10	10	-20	50	NBR	347N04	-	496131	-	3	3	1240	1.2	12
1/2	12	3000	2.5	10	10	-20	50	NBR	347N04	-	496482	-	3	3	1255	1.2	12
1/2	12	3000	2.5	10	10	-20	50	NBR	347N04	-	496637	2-22	3	3	1255	1.2	12

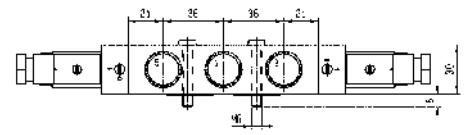
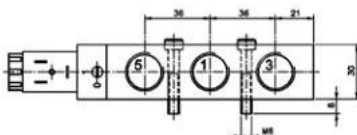
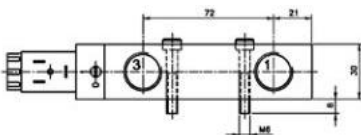
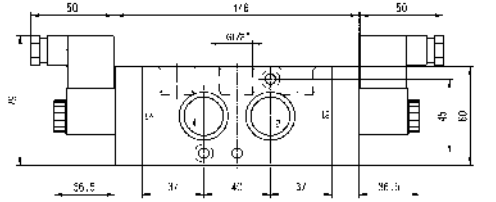
Dimensions Reference 10



Dimensions Reference 11



Dimensions Reference 12



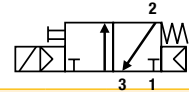
Please consult the "How to Order" part at the end of each coil chapter.

# NAMUR Valves G1/2" Series

## Solenoid Operated Versions N34 Series

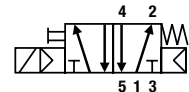
Port size	Orifice	Q <sub>N</sub>	Admissible differential pressure (bar) maximum			Fluid Temperature		Seat disc	Reference number			Atex Zone	Consumption Power (Watt)		Weight (g)	Elect. Group	Dim. Ref.
			min	DC=	AC~	Min °C	Max °C		without man. over.	Valve with man. over.	Housing		Coil	DC=			
G	mm	l/min	min	DC=	AC~	Min °C	Max °C										

### 3/2 Solenoid operated Combined spring & air return (monostable)



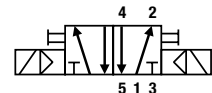
1/2	12	3000	2.5	10	10	-20	50	NBR	331N3402	331N34	2995	481865	-	9	8	810	2.0	13
1/2	12	3000	2.5	10	10	-20	50	NBR	331N3402	331N34	2995	495870	2-22	9	8	830	2.0	13
1/2	12	3000	2.5	10	10	-20	50	NBR	331N3402	331N34	-	495905	1-21	8	8	1150	2.0	-
1/2	12	3000	2.5	10	-	-20	50	NBR	331N3496	331N3497	2995	482740	-	1,6	-	810	6.0	13
1/2	12	3000	2.5	10	-	-20	50	NBR	331N3496	331N3497	2995	496125	2-22	1,6	-	830	6.0	13
1/2	12	3000	2.5	10	-	-20	50	NBR	331N3496	331N3497	-	495910	1-21	0,3-3	-	1150	8.0	-
1/2	12	3000	2.5	10	10	-20	50	NBR	331N3496	331N3497	-	495900	1-21	2	2,5	1150	6.0	-

### 5/2 Solenoid operated Combined spring & air return (monostable)



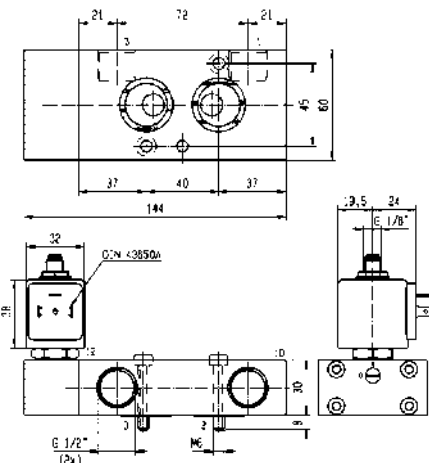
1/2	12	3000	2.5	10	10	-20	50	NBR		341N34	2995	481865	-	9	8	810	2.0	14
1/2	12	3000	2.5	10	10	-20	50	NBR		341N34	2995	495870	2-22	9	8	830	2.0	14
1/2	12	3000	2.5	10	10	-20	50	NBR		341N34	-	495905	1-21	8	8	1150	2.0	-
1/2	12	3000	2.5	10	-	-20	50	NBR	341N3496	341N3497	2995	482740	-	1,6	-	810	6.0	14
1/2	12	3000	2.5	10	-	-20	50	NBR	341N3496	341N3497	2995	496125	2-22	1,6	-	830	6.0	14
1/2	12	3000	2.5	10	-	-20	50	NBR	341N3496	341N3497	-	495910	1-21	0,3-3	-	1150	8.0	-
1/2	12	3000	2.5	10	10	-20	50	NBR	341N3496	341N3497	-	495900	1-21	2	2,5	1150	6.0	-

### 5/2 Solenoid operated and return (bistable)

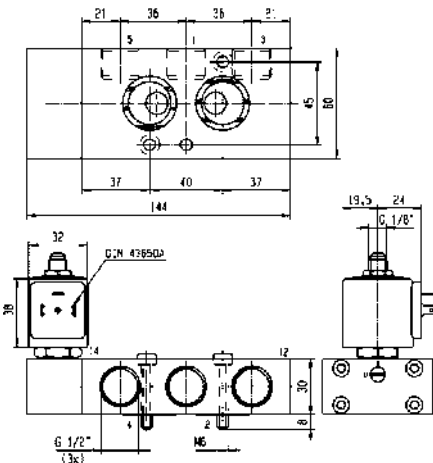


1/2	12	3000	2.5	10	10	-20	50	NBR		347N34	2995	481865	-	9	8	960	2.0	15
1/2	12	3000	2.5	10	10	-20	50	NBR		347N34	2995	495870	2-22	9	8	1000	2.0	15
1/2	12	3000	2.5	10	10	-20	50	NBR		347N34	-	495905	1-21	8	8	1640	2.0	-
1/2	12	3000	2.5	10	-	-20	50	NBR	347N3496	347N3497	2995	482740	-	1,6	-	960	6.0	15
1/2	12	3000	2.5	10	-	-20	50	NBR	347N3496	347N3497	2995	496125	2-22	1,6	-	1000	6.0	15
1/2	12	3000	2.5	10	-	-20	50	NBR	347N3496	347N3497	-	495910	1-21	0,3-3	-	1640	8.0	-
1/2	12	3000	2.5	10	10	-20	50	NBR	347N3496	347N3497	-	495900	1-21	2	2,5	1640	6.0	-

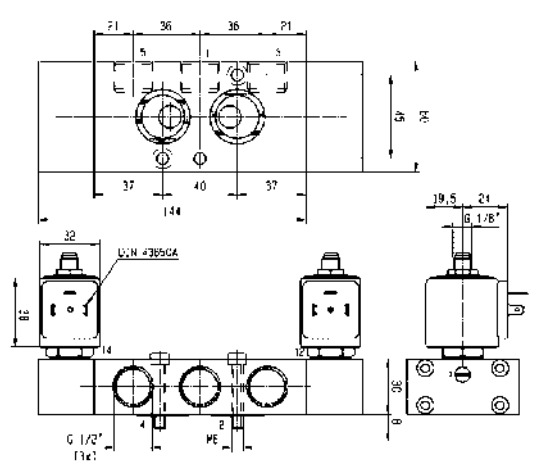
#### Dimensions Reference 13



#### Dimensions Reference 14



#### Dimensions Reference 15



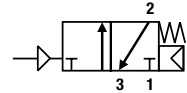
Please consult the "How to Order" part at the end of each coil chapter.

# NAMUR Valves G1/2" Series

## External Pressure Air Operated Series 5 xx N04 Series

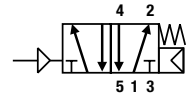
Port size	Orifice	Q <sub>N</sub>	Admissible differential pressure (bar) maximum			Fluid Temperature		Seat disc	Reference number			Consumption Power (Watt)		Weight (g)	Elect. Group	Dim. Ref.
			min	DC=	AC~	Min °C	Max °C		Valve without man. override	Housing	Coil	DC=	AC~			
G	mm	l/min	min	DC=	AC~	Min °C	Max °C									

**3/2 External pressure air operated**  
**Combined spring & air return (monostable)**  
**External pressure supply 2.5 to 10 bar**



1/2	12	3000	2.5	10	10	-20	50	NBR	531N04	-	w/o	-	-	620	-	16
-----	----	------	-----	----	----	-----	----	-----	--------	---	-----	---	---	-----	---	----

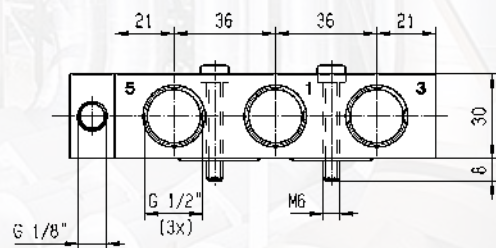
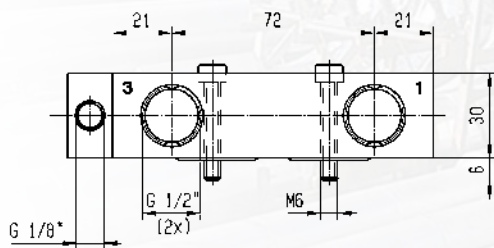
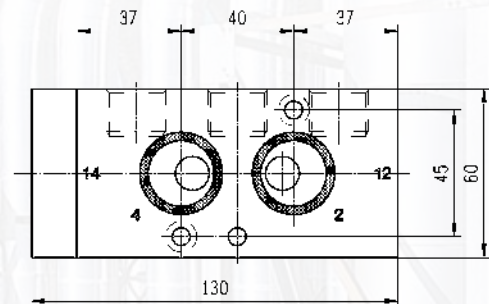
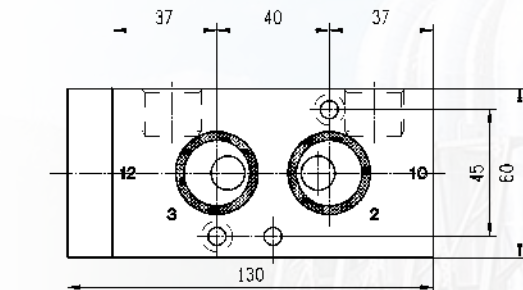
**5/2 External pressure air operated**  
**Combined spring & air return (monostable)**  
**External pressure supply 2.5 to 10 bar**



1/2	12	3000	2.5	10	10	-20	50	NBR	541N04	-	w/o	-	-	600	-	17
-----	----	------	-----	----	----	-----	----	-----	--------	---	-----	---	---	-----	---	----

Dimensions Reference 16

Dimensions Reference 17



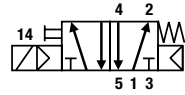
Please consult the "How to Order" part at the end of each coil chapter.

# Piped Valves - G1/4" Series

## Solenoid Operated Versions P03 Versions

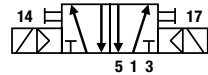
Port size	Orifice	Q <sub>N</sub>	Admissible differential pressure (bar) maximum			Fluid Temperature		Seat disc	Reference number			Atex Zone	Consumption Power (Watt)		Weight (g)	Elect. Group	Dim. Ref.
			min	DC=	AC~	Min °C	Max °C		Valve with man. over.	Housing	Coil		DC=	AC~			
G	mm	l/min															

### 5/2 Solenoid operated Combined spring & air return (monostable)



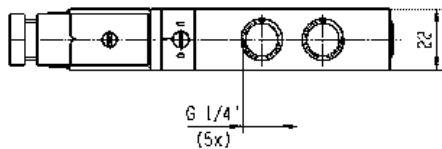
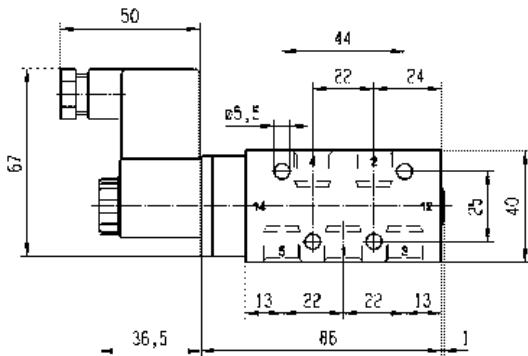
1/4	7	1250	2.5	10	10	-20	50	NBR	<b>341P03</b>	-	496131	-	3	3	250	1.2	18
1/4	7	1250	2.5	10	10	-20	50	NBR	<b>341P03</b>	-	496482	-	3	3	250	1.2	18
1/4	7	1250	2.5	10	10	-20	50	NBR	<b>341P03</b>	-	496637	2-22	3	3	250	1.2	18

### 5/2 Solenoid operated and return (bistable)

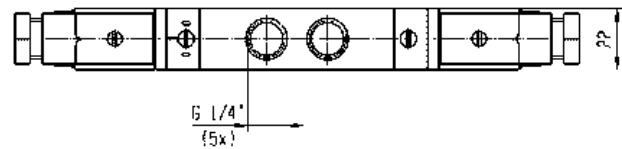
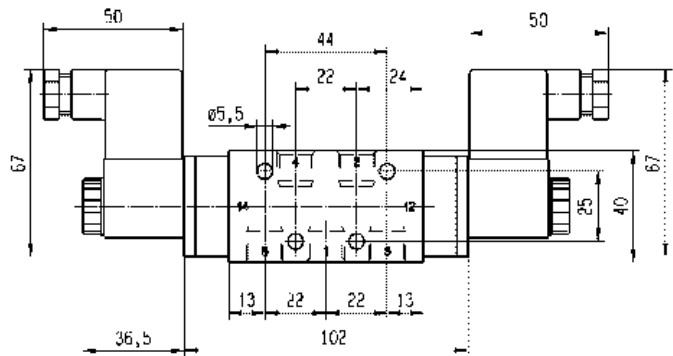


1/4	7	1250	2.5	10	10	-20	50	NBR	<b>347P03</b>	-	496131	-	3	3	350	1.2	19
1/4	7	1250	2.5	10	10	-20	50	NBR	<b>347P03</b>	-	496482	-	3	3	350	1.2	19
1/4	7	1250	2.5	10	10	-20	50	NBR	<b>347P03</b>	-	496637	2-22	3	3	350	1.2	19

#### Dimensions Reference 18



#### Dimensions Reference 19



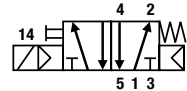
Please consult the "How to Order" part at the end of each coil chapter.

# Piped Valves - G1/4" Series

## Solenoid Operated Versions P33 Versions

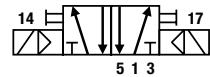
Port size	Orifice	Q <sub>N</sub>	Admissible differential pressure (bar) maximum			Fluid Temperature		Seat disc	Reference number			Atex Zone	Consumption Power (Watt)		Weight (g)	Elect. Group	Dim. Ref.
			min	DC=	AC~	Min °C	Max °C		Valve without man. over.	Valve with man. over.	Housing		Coil	DC=			
G	mm	l/min															

### 5/2 Solenoid operated Combined spring & air return (monostable)



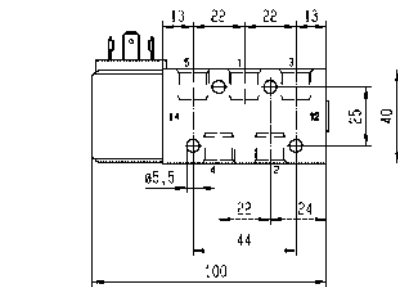
1/4	7	1250	2.5	10	10	-20	50	NBR	<b>341P333</b>	<b>2995</b>	481865	-	9	8	470	2.0	20	
1/4	7	1250	2.5	10	10	-20	50	NBR	<b>341P333</b>	<b>2995</b>	495870	2-22	9	8	490	2.0	20	
1/4	7	1250	2.5	10	10	-20	50	NBR	<b>341P333</b>	-	495905	1-21	8	8	810	2.0	-	
1/4	7	1250	2.5	10	-	-20	50	NBR	<b>341P3396</b>	<b>341P3397</b>	<b>2995</b>	482740	-	1,6	-	470	6.0	20
1/4	7	1250	2.5	10	-	-20	50	NBR	<b>341P3396</b>	<b>341P3397</b>	<b>2995</b>	496125	2-22	1,6	-	490	6.0	20
1/4	7	1250	2.5	10	-	-20	50	NBR	<b>341P3396</b>	<b>341P3397</b>	-	495910	1-21	0.3-3	-	810	8.0	-
1/4	7	1250	2.5	10	10	-20	50	NBR	<b>341P3396</b>	<b>341P3397</b>	-	495900	1-21	2	2,5	810	6.0	-

### 5/2 Solenoid operated and return (bistable)

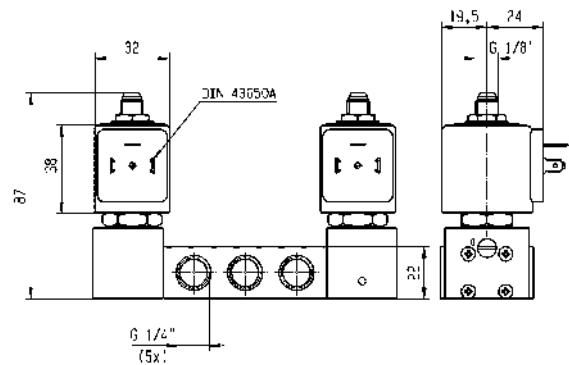
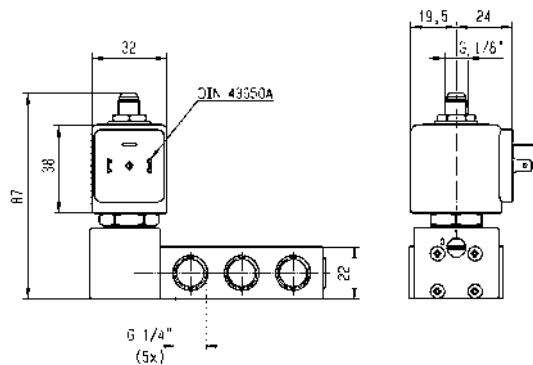
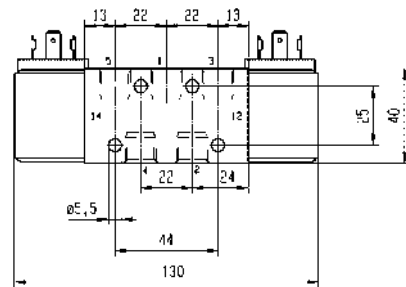


1/4	7	1250	2.5	10	10	-20	50	NBR	<b>347P333</b>	<b>2995</b>	481865	-	9	8	620	2.0	21	
1/4	7	1250	2.5	10	10	-20	50	NBR	<b>347P333</b>	<b>2995</b>	495870	2-22	9	8	640	2.0	21	
1/4	7	1250	2.5	10	10	-20	50	NBR	<b>347P333</b>	-	495905	1-21	8	8	960	2.0	-	
1/4	7	1250	2.5	10	-	-20	50	NBR	<b>347P3396</b>	<b>347P3397</b>	<b>2995</b>	482740	-	1,6	-	620	6.0	21
1/4	7	1250	2.5	10	-	-20	50	NBR	<b>347P3396</b>	<b>347P3397</b>	<b>2995</b>	496125	2-22	1,6	-	640	6.0	21
1/4	7	1250	2.5	10	-	-20	50	NBR	<b>347P3396</b>	<b>347P3397</b>	-	495910	1-21	0.3-3	-	960	8.0	-
1/4	7	1250	2.5	10	10	-20	50	NBR	<b>347P3396</b>	<b>347P3397</b>	-	495900	1-21	2	2,5	960	6.0	-

### Dimensions Reference 20



### Dimensions Reference 21



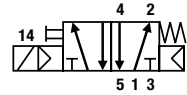
Please consult the "How to Order" part at the end of each coil chapter.

# Piped Valves - G1/2" Series

## Solenoid Operated Versions P04 Versions

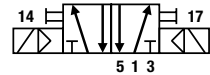
Port size	Orifice	Q <sub>N</sub>	Admissible differential pressure (bar) maximum			Fluid Temperature		Seat disc	Reference number			Atex Zone	Consumption Power (Watt)		Weight (g)	Elect. Group	Dim. Ref.
			min	DC=	AC=	Min °C	Max °C		Valve with man. over.	Housing	Coil		DC=	AC=			
G	mm	l/min															

### 5/2 Solenoid operated Combined spring & air return (monostable)



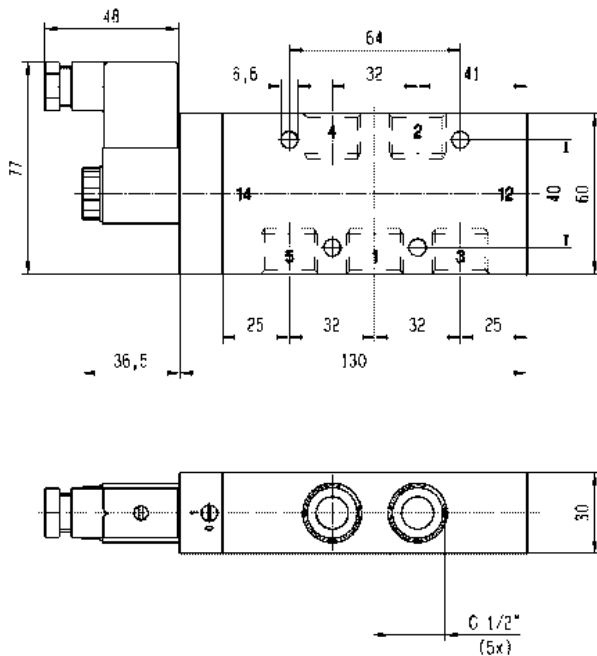
1/2	12	3000	2.5	10	10	-20	50	NBR	<b>341P04</b>	-	496131	-	3	3	670	1.2	22
1/2	12	3000	2.5	10	10	-20	50	NBR	<b>341P04</b>	-	496482	-	3	3	670	1.2	22
1/2	12	3000	2.5	10	10	-20	50	NBR	<b>341P04</b>	-	496637	2-22	3	3	670	1.2	22

### 5/2 Solenoid operated and return (bistable)

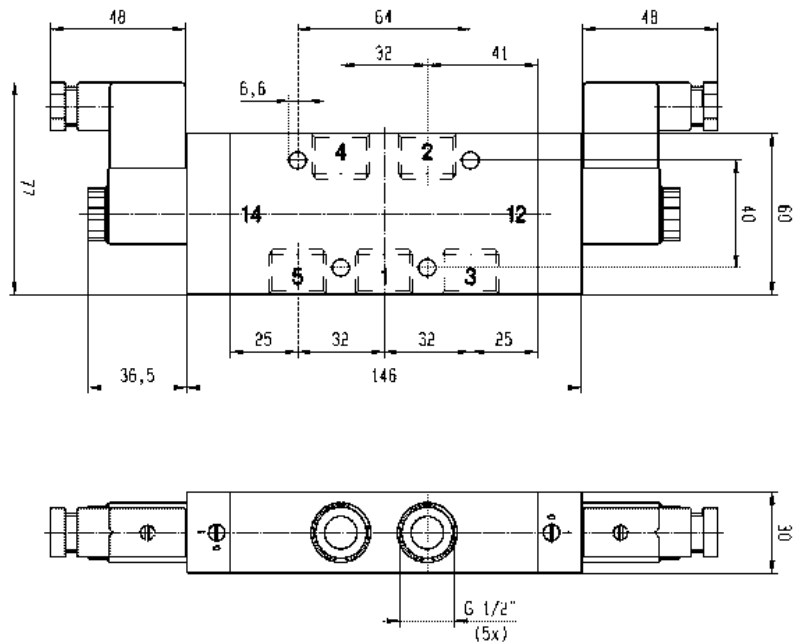


1/2	12	3000	2.5	10	10	-20	50	NBR	<b>347P04</b>	-	496131	-	3	3	840	1.2	23
1/2	12	3000	2.5	10	10	-20	50	NBR	<b>347P04</b>	-	496482	-	3	3	840	1.2	23
1/2	12	3000	2.5	10	10	-20	50	NBR	<b>347P04</b>	-	496637	2-22	3	3	840	1.2	23

Dimensions Reference 22



Dimensions Reference 23



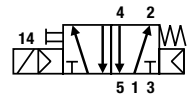
Please consult the "How to Order" part at the end of each coil chapter.

# Piped Valves - G1/2" Series

## Solenoid Operated Versions P34 Versions

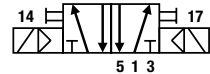
Port size	Orifice	Q <sub>N</sub>	Admissible differential pressure (bar) maximum			Fluid Temperature		Seat disc	Reference number			Atex Zone	Consumption Power (Watt)		Weight (g)	Elect. Group	Dim. Ref.	
									Valve		Housing		Coil	DC=				AC~
									without man. over.	with man. over.								
G	mm	l/min	min	DC=	AC~	Min °C	Max °C											

### 5/2 Solenoid operated Combined spring & air return (monostable)



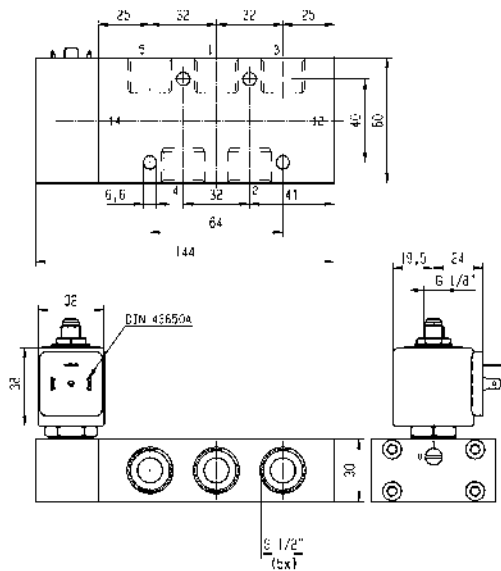
1/2	12	3000	2.5	10	10	-20	50	NBR	<b>341P34</b>	<b>2995</b>	481865	-	9	8	900	2.0	24	
1/2	12	3000	2.5	10	10	-20	50	NBR	<b>341P34</b>	<b>2995</b>	495870	2-22	9	8	920	2.0	24	
1/2	12	3000	2.5	10	10	-20	50	NBR	<b>341P34</b>	-	495905	1-21	8	8	1240	2.0	-	
1/2	12	3000	2.5	10	-	-20	50	NBR	<b>341P3496</b>	<b>341P3497</b>	<b>2995</b>	482740	-	1,6	-	900	6.0	24
1/2	12	3000	2.5	10	-	-20	50	NBR	<b>341P3496</b>	<b>341P3497</b>	<b>2995</b>	496125	2-22	1,6	-	920	6.0	24
1/2	12	3000	2.5	10	-	-20	50	NBR	<b>341P3496</b>	<b>341P3497</b>	-	495910	1-21	0.3-3	-	1240	8.0	-
1/2	12	3000	2.5	10	10	-20	50	NBR	<b>341P3496</b>	<b>341P3497</b>	-	495900	1-21	2	2,5	1240	6.0	-

### 5/2 Solenoid operated and return (bistable)

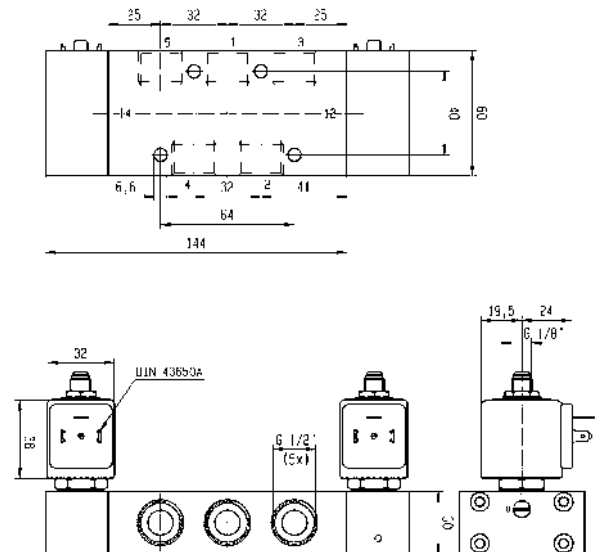


1/2	12	3000	2.5	10	10	-20	50	NBR	<b>347P34</b>	<b>2995</b>	481865	-	9	8	1240	2.0	25	
1/2	12	3000	2.5	10	10	-20	50	NBR	<b>347P34</b>	<b>2995</b>	495870	2-22	9	8	1280	2.0	25	
1/2	12	3000	2.5	10	10	-20	50	NBR	<b>347P34</b>	-	495905	1-21	8	8	2080	2.0	-	
1/2	12	3000	2.5	10	-	-20	50	NBR	<b>347P3496</b>	<b>347P3497</b>	<b>2995</b>	482740	-	1,6	-	1240	6.0	25
1/2	12	3000	2.5	10	-	-20	50	NBR	<b>347P3496</b>	<b>347P3497</b>	<b>2995</b>	496125	2-22	1,6	-	1280	6.0	25
1/2	12	3000	2.5	10	-	-20	50	NBR	<b>347P3496</b>	<b>347P3497</b>	-	495910	1-21	0.3-3	-	2080	8.0	-
1/2	12	3000	2.5	10	10	-20	50	NBR	<b>347P3496</b>	<b>347P3497</b>	-	495900	1-21	2	2,5	2080	6.0	-

### Dimensions Reference 24



### Dimensions Reference 25

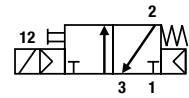


Please consult the "How to Order" part at the end of each coil chapter.

# Banjo Valves - G1/4" & G1/8" Series

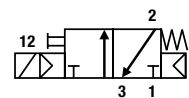
## Solenoid Operated Versions B14-B04 Versions

Port size		Orifice	Q <sub>N</sub>	Admissible differential pressure (bar) maximum			Fluid Temperature		Seat disc	Reference number			Atex Zone	Consumption Power (Watt)		Weight (g)	Elect. Group	Dim. Ref.
Banjo	G	mm	l/min	min	DC=	AC=	Min °C	Max °C		Valve with man. over.	Housing	Coil		DC	AC			



### 3/2 Solenoid operated - Spring return (monostable)

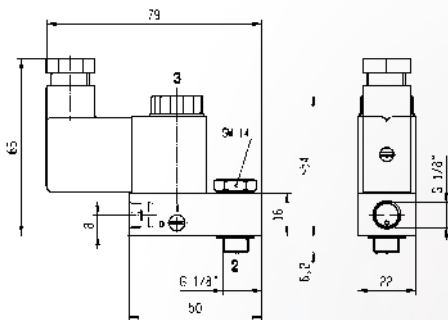
1/8	1/8	1.2	50	0	10	10	-20	50	NBR	<b>131B14</b>	-	496131	-	3	3	140	1.2	26
1/8	1/8	1.2	50	0	10	10	-20	50	NBR	<b>131B14</b>	-	496482	-	3	3	140	1.2	26
1/8	1/8	1.2	50	0	10	10	-20	50	NBR	<b>131B14</b>	-	496637	2-22	3	3	140	1.2	26



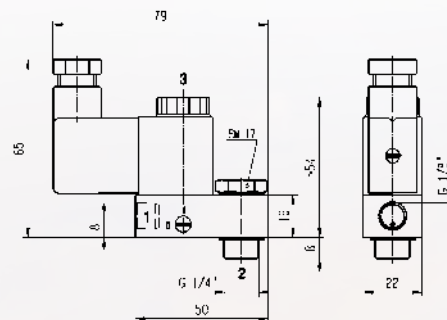
### 3/2 Solenoid operated - Spring return (monostable)

1/4	1/8	1.2	50	0	10	10	-20	50	NBR	<b>131B04</b>	-	496131	-	3	3	160	1.2	27
1/4	1/8	1.2	50	0	10	10	-20	50	NBR	<b>131B04</b>	-	496482	-	3	3	160	1.2	27
1/4	1/8	1.2	50	0	10	10	-20	50	NBR	<b>131B04</b>	-	496637	2-22	3	3	160	1.2	27

#### Dimensions Reference 26



#### Dimensions Reference 27



Please consult the "How to Order" part at the end of each coil chapter.



# Coils and Spare Parts Informations

COIL GROUP

## 1.2

### COMPACT COILS FOR N03 - N04 - N05 Series DIN PLUG CONNECTION



Safe Area

This coil can be mounted with every Parker solenoid valves corresponding to the specified Coil Group. See column "Coil Group" within valve pages. This coil is designed for valves equipped with a miniature tube assembly. This is an encapsulated assembly comprising a coil, integral magnetic iron path.

The synthetic material encapsulation provides an effective compact housing, offering full protection against dust, oil, water, etc. Ease of mounting in confined space - offers shock and corrosion protection - simplifies conversion of existing equipment to other requirements, etc. Coil conforms to the IEC/CENELEC safety standards and complies with European low-voltage directive.

DIN plug connector to be ordered separately (see coil accessories section).

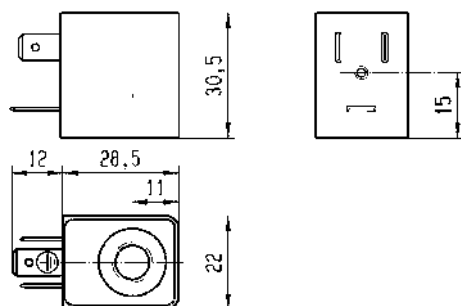


Specification		Double frequency			
Reference (without DIN Plug)		496131 (Dim. Ref. 1)			
Reference (with DIN Plug)		496482 (Dim. Ref. 2)			
Coil group		1.2			
Degree of protection		IP65 according to IEC / EN 60529 standards (with DIN plug).			
Class of insulation		F 155°C			
Electrical connection		The coil is connected with a 2 P + E plug according to EN 175301-803 type B.			
Ambient temperature		-20°C to +50°C The application is limited also by the temperature range of the valve.			
Elect. Power	DC	Pn (hot)	3 W		
		P (cold) 20°C	-		
AC		Pn (holding)	5 VA (50Hz)		
		Attraction cold	8,5 VA (50Hz)		
Weight		60 g			
Voltages "Un"		VAC/Hz	Code	VDC	Code
-10% to +10% of the Un		24/50-60	P0	24 V	C2
		110/50-60	P2	48 V	C4
		230/50-60	P9	110 V	C5
		48/50-60	S4		

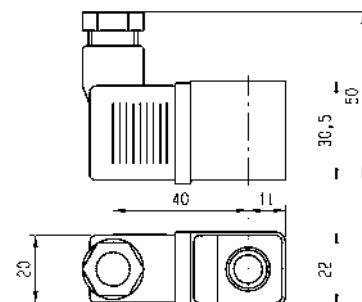
To Order a Coil choose Coil Ref + Voltage Code, example: 496131 for 24 VDC = 496131C2

"The housing kit is already included in the valve reference, it is not needed to order it separately."

#### Dimensions Reference 1



#### Dimensions Reference 2



# Coils and Spare Parts Informations

## COIL GROUP

### 1.2

## COMPACT COILS FOR N03-N04-N05 Series Non Sparking Protection - DIN PLUG



This coil can be mounted with every Parker ATEX solenoid valves corresponding to the specified Coil Group.  
See column "Coil Group" within valve pages.

#### Application:

Control of solenoid valves in dangerous areas where explosion-proof protection is required.

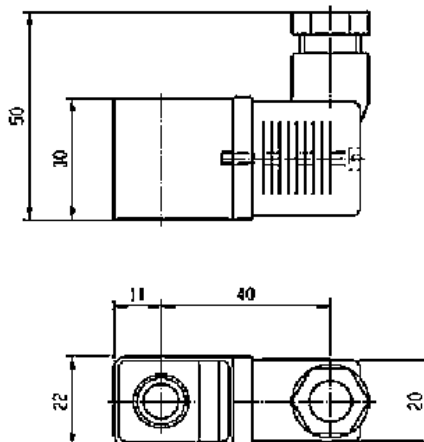
#### Benefits:

The synthetic material encapsulation of the coil provides an effective compact housing, offering full protection against dust, oil, water, etc. Small size for ease of mounting in confined spaces.



Specification		Double Frequency			
Reference		496637			
Certificate		ATEX			
Coil group		1.2			
Type of protection	Gas	Ex nAc nCc IIC T5			
	Dust	II 3 D - Ex tc III C - T 95°C			
Degree of protection		IP65 (with plug) according to IEC/EN 60529			
Ambiant temperature		-20°C to +50°C The application is limited also by the temperature range of the valve.			
Insulation Class		F 155°C			
Elect. Power	DC	Pn (hot)	3 W		
		P (cold) 20°C	-		
AC	AC	Pn (holding)	5 VA (50Hz)		
		Attraction cold	8,5 VA (50Hz)		
Weight		75 g			
Voltages "Un"		VAC/Hz	Code	VDC	Code
-10% to +10% of the Un		24/50-60	P0	24 V	C2
		110/50-60	P2	48 V	C4
		230/50-60	P9	110 V	C5
		48/50-60	S4		

To Order a Coil choose Coil Ref + Voltage Code, example: 496637 for 24 VDC = 496637C2



COIL GROUP

2.0/2.1

COILS FOR N33-N34-N35 Series  
DIN PLUG CONNECTION



Safe Area

These coils can be mounted with every Parker solenoid valves corresponding to the specified Coil Group. See column "Coil Group" within valve pages. This is an encapsulated assembly comprising a coil, integral magnetic iron path and snap-on plug connection.

The synthetic material encapsulation provides an effective compact housing, offering full protection against dust, oil, water, etc. Ease of mounting in confined space - offers shock and corrosion protection - simplifies conversion of existing equipment to other requirements, etc.

Coils conform to the IEC/CENELEC safety standards and complies with European low-voltage directive.

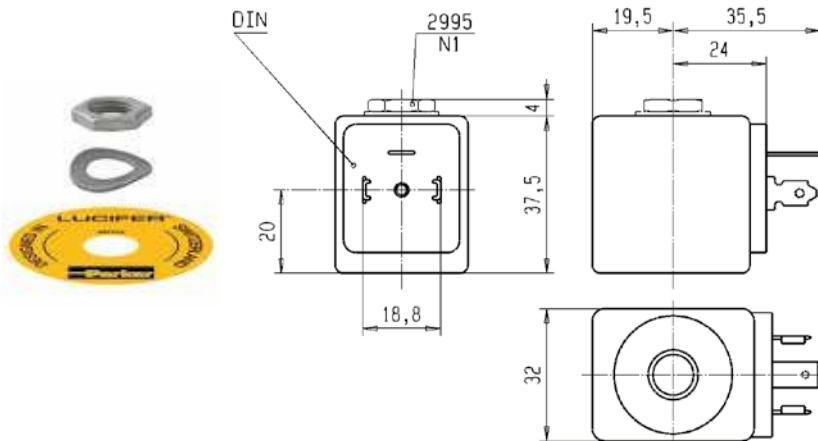


Specification		Standard			Double frequency		
Ref. (without DIN plug)		481865			483510		
Ref. (with DIN plug)		482725			482635		
Coil Group		2.0 / 2.1					
Degree of protection		IP65 according to IEC / EN 60529 standards (with DIN plug).					
Class of insulation		F 155°C					
Electrical connection		The coil is connected with a 2 P + E plug according to EN 175301-803 type A					
Ambient temperature		-40°C to +50°C - The application is limited also by the temperature range of the valve.					
Elect. Power	DC	Pn (hot)	9 W			-	
		P (cold) 20°C	12 W			-	
	AC	Pn (holding)	8 W			9 W	
		Attraction cold	26 VA (9 W)			32 VA (10 W)	
Weight		130 g (without plug)					
Voltages "Un"		VAC/Hz	Code	VDC	Code	VAC/Hz	Code
-10% to +10% of the Un		24/50	A2	24	C2	24/50, 24/60	P0
		48/50	A4	48	C4	48/50, 48/60	S4
		110/50	A5	110	C5	110-115/50, 120/60	S5
		220-230/50	3D			220-240/50, 240/60	S6

To Order a Coil choose Coil Ref + Voltage Code, example: 481865 for 24 VDC = 481865C2

These coils must be used with suitable housings, see example below:

The coil assembly kit Ref. 2995 corresponds to the "housing" of Lucifer® valve numbering system (Valve - housing - coil - voltage). It is composed of a nameplate, a label giving details of the valve type, a round washer and a nut to ensure the fixing between 32 mm coil and the valve.



# Coils and Spare Parts Informations

COIL GROUP

**2.0/2.1**

COILS FOR N33-N34-N35 Series  
SCREW TERMINAL



These coils can be mounted with every Parker Solenoid Valves corresponding to the specified Coil Group.

See column "Coil Group" within valve pages. They can be mounted with all metal housings.

The coil winding is completely encapsulated in synthetic material. Easy mounting in confined spaces. Electrical connection with screw terminals for wire up to 1.5 mm<sup>2</sup>.

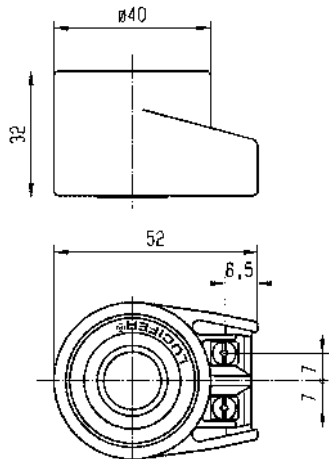
Coils conform to the IEC/CENELEC safety standards and complies with European low-voltage directive.



Specification		Standard			Double Frequency		
Reference		481000			483520		
Coil Group		2.0 / 2.1					
Class of insulation		F 155°C					
Ambient temperature		-40°C to +50°C The application is limited also by the temperature range of the valve.					
Elect. Power	DC	Pn (hot)	8W			-	
		P (cold) 20°C	9W			-	
	AC	Pn (holding)	8W			9W	
		Attraction cold	32 VA (9 W)			36 VA (10 W)	
Weight		130 g			130 g		
Voltages "Un"		VAC/Hz	Code	VDC	Code	VAC/Hz	Code
-10% to +10% of the Un (-15 % to +5 % for double-frequency coil with voltage code S6 if 240 V/50/Hz is used).		24/50	A2	24	C2	24/50-60	P0
		48/50	A4	48	C4	48/50-60	S4
		110/50-115/50	0A	110	C5	110-115/50-120/60	S5
		220/50-230/50	3D			220-240/50-240/60	S6

To Order a Coil choose Coil Ref + Voltage Code, example: 4828 for 24 VDC = 481000C2

These coils must be used with suitable housings, see examples below:



Ref. 4270 - Protection IP 44 according to IEC / EN 60529 standard (with cable gland)

Ref. 4538 - Protection IP 67 according to IEC / EN 60529 standard

COIL GROUP

6.0

COILS FOR N339x-N349x-N359x Series  
LOW POWER - DIN PLUG CONNECTION



Safe Area

These coils can be mounted with every Parker Solenoid Valves corresponding to the specified Coil Group.

See column "Coil Group" within valve pages. They can be mounted with all metal housings.

The synthetic material encapsulation provides an effective compact housing, offering full protection against dust, oil, water, etc. Ease of mounting in confined space - offers shock and corrosion protection - simplifies conversion of existing equipment to other requirements, etc.

Coils conform to the IEC/CENELEC safety standards and complies with European low-voltage directive.

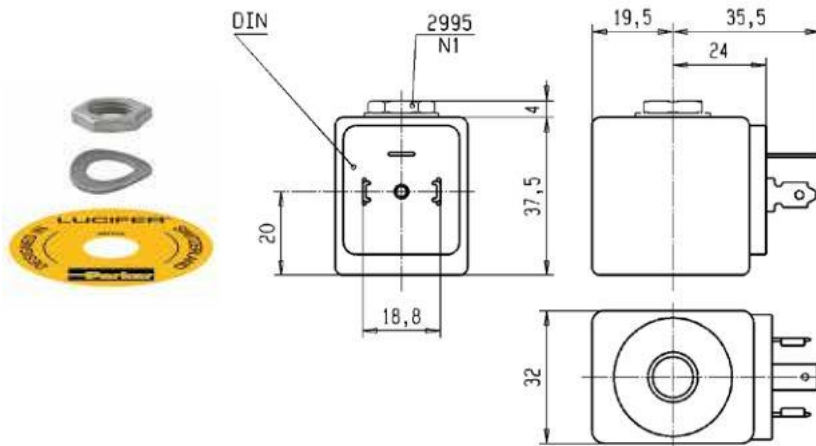


Specification		Miniwatt	
Reference (without DIN plug)		482740	
Reference (with DIN plug)		482745	
Coil Group		6.0	
Degree of protection		IP65 according to IEC / EN 60529 standards (with DIN plug).	
Class of insulation		F 155°C	
Electrical connection		The coil is connected with a 2 P + E plug according to EN 175301-803 type A	
Ambient temperature		-40°C to +50°C The application is limited also by the temperature range of the valve.	
Elect. Power	DC	Pn (hot)	1.6 W
		P (cold) 20°C	2.1 W
	AC	Pn (holding)	-
		Attraction cold	-
Weight		130 g (without plug)	
Voltages "Un"		VDC	Code
-10% to +10% of the Un		24	C2
		48	C4
		110	C5

To Order a Coil choose Coil Ref + Voltage Code, example: 482740 for 24 VDC = 482740C2

These coils must be used with suitable housings, see example below:

The coil assembly kit Ref. 2995 corresponds to the "housing" of Lucifer® valve numbering system (Valve - housing - coil - voltage). It is composed of a nameplate, a label giving details of the valve type, a round washer and a nut to ensure the fixing between 32 mm coil and the valve.



# Coils and Spare Parts Informations

COIL GROUP

**2.0/2.1**

**COILS FOR N33-N34-N35 Series**  
**Non Sparking Protection - DIN PLUG**



These coils can be mounted with every Parker ATEX solenoid valves corresponding to the specified Coil Group. See column "Coil Group" within valve pages.

**Application:** Control of solenoid valves in dangerous areas where non sparking protection Ex nc AC IIC T3 to T4 is required. Ease of mounting in confined space - offers shock and corrosion protection - simplifies conversion of existing equipment to other requirements, etc. Coils conforms to the IEC/CENELEC safety standards and complies with European low-voltage directive. Small size for ease of mounting in confined spaces.



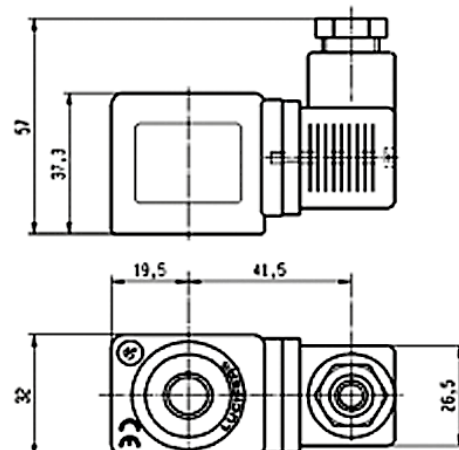
<b>Reference</b>	<b>495870</b>			
<b>Certificate</b>	<b>LCIE 05 ATEX 6003 X</b>			
<b>Coil Group</b>	<b>2.0 / 2.1</b>			
<b>Type of protection</b>	<b>Gas</b>	II 3 G - Ex nAc nCc IIC T3 to T4		
	<b>Dust</b>	II 3 D - Ex tc IIIC - T195°C to T130°C		
<b>Degree of protection</b>	IP65 (with plug) according to IEC/EN 60529			
<b>Insulation Class</b>	F (155°C)			
<b>Duty cycle</b>	100%			
<b>Ambiant temperature</b>	-40°C to +50°C The application is limited also by the temperature range of the valve.			
<b>Elect. Power</b>	<b>DC</b>	<b>Pn (hot)</b>	9 W	
		<b>P (cold) 20°C</b>	12 W	
	<b>AC</b>	<b>Pn (holding)</b>	8 W	
		<b>Attraction cold</b>	26 VA (9 W)	
<b>Weight</b>	150 g			
<b>Voltages "Un"</b> -10% to +10% of the Un	<b>VAC/Hz</b>	<b>Code</b>	<b>VDC</b>	<b>Code</b>
	24/50	A2	24	C2
	48/50	A4	48	C4
	110/50	A5	110	C5
	220-230/50	3D		

To Order a Coil choose Coil Ref + Voltage Code, example: 495870 for 24 VDC = **495870C2**

These coils must be used with suitable housings, see example below:

The coil assembly kit Ref. 2995 corresponds to the "housing" of Lucifer® valve numbering system (Valve - housing - coil - voltage).

It is composed of a nameplate, a label giving details of the valve type, a round washer and a nut to ensure the fixing between 32 mm coil and the valve.





These coils can be mounted with every Parker ATEX solenoid valves corresponding to the specified Coil Group. See column "Coil Group" within valve pages.

**Application:** Control of solenoid valves in dangerous areas where non sparking protection Ex nAc nCc IIC T5/T6 is required. Ease of mounting in confined space - offers shock and corrosion protection - simplifies conversion of existing equipment to other requirements, etc.

**Benefits:** The synthetic material encapsulation of the coil provides an effective compact housing, offering full protection against dust, oil, water, etc. Small size for ease of mounting in confined spaces.



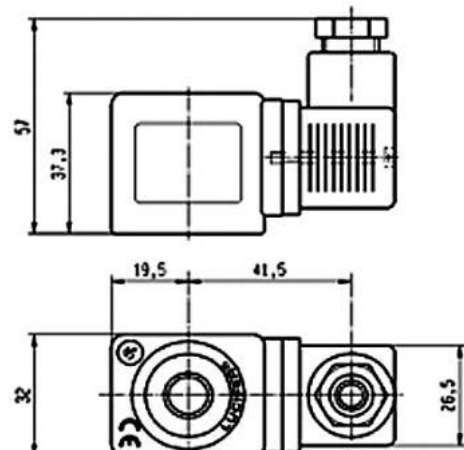
<b>Reference</b>		<b>496125</b>	
<b>Certificate</b>		<b>LCIE 05 ATEX 6003 X</b>	
<b>Coil group</b>		<b>6.0</b>	
<b>Type of protection</b>	<b>Gas</b>	II 3 G - Ex nAc nCc IIC T5 to T6	
	<b>Dust</b>	II 3 D Ex tc IIIC T95°C to T80°C	
<b>Degree of protection</b>		<b>IP65</b> (with plug) according to IEC/EN 60529 Standards	
<b>Insulation Class</b>		F (155°C)	
<b>Duty cycle</b>		100%	
<b>Ambiant temperature</b>		-40°C to +65°C / 50°C The application is limited also by the temperature range of the valve.	
<b>Elect. Power</b>	<b>DC</b>	<b>Pn (hot)</b>	1.6 W
		<b>P (cold) 20°C</b>	2.1 W
	<b>AC</b>	<b>Pn (holding)</b>	-
		<b>Attraction cold</b>	-
<b>Weight</b>		150 g	
<b>Voltages "Un"</b>		<b>VDC</b>	<b>Code</b>
-10% to +10% of the Un		24	C2
		48	C4
		110	C5

To Order a Coil choose Coil Ref + Voltage Code, example: 496125 for 24 VDC = **496125C2**

These coils must be used with suitable housings, see example below:

The coil assembly kit Ref. 2995 corresponds to the "housing" of Lucifer® valve numbering system (Valve - housing - coil - voltage).

It is composed of a nameplate, a label giving details of the valve type, a round washer and a nut to ensure the fixing between 32 mm coil and the valve.



## COIL GROUP

## 2.0/2.1

COILS FOR N33-N34-N35 Series  
Flameproof & Encapsulated

These coils can be mounted with every Parker ATEX solenoid valves corresponding to the specified Coil Group.  
See column "Coil Group" within valve pages.

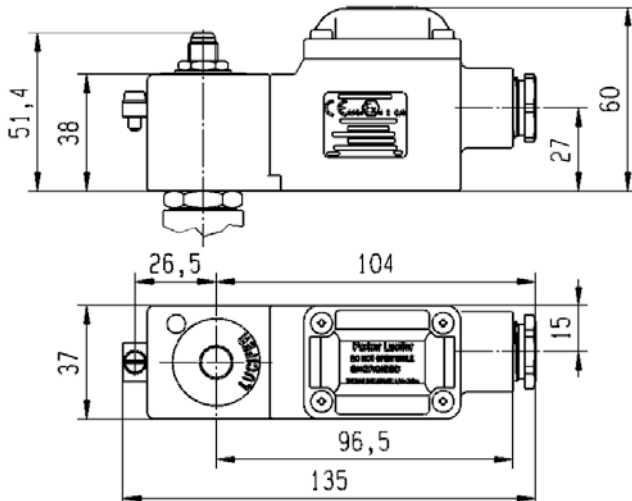
**Application:** Control of solenoid valves in dangerous areas where Flameproof & Encapsulated protection Ex db mb IIC T4 is required.

**Benefits:** Rotatable 360° fibreglass-reinforced plastic housing (class H). Solenoid coil, rectifier (silicium diodes), fuses and varistor protection are completely encapsulated into the coil housing by epoxy resin for shock and corrosion protection. The plastic housing is delivered with M20 x 1.5 cable gland certified for use "db" protection. Small size for ease of mounting in confined space.

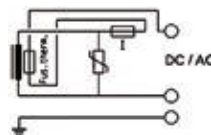


<b>Reference</b>		<b>495905</b>	
<b>Certificate</b>		<b>LCIE 03 ATEX 6451 X / 04 - IECEx LCI 06.0004 X</b>	
<b>Coil Group</b>		<b>2.0 / 2.1</b>	
<b>Type of protection</b>	<b>Gas</b>	II 2 G - Ex db mb IIC T4	
	<b>Dust</b>	II 2 D - Ex tb IIC - T130°C	
<b>Degree of protection</b>		<b>IP67</b>	
<b>Ambient temperature</b>		-40°C to +65°C The application is limited also by the temperature range of the valve.	
<b>Class of insulation</b>		H (180 °)	
<b>Electrical connection</b>		Electric connection is done in the connection box on an easily accessible connector terminals. The introduction of the cable (Ø min 5 mm, Ømax. 11 mm, section max. 2.5 mm²) in the connection box passes by the built in M20 x 1.5 cable gland.	
<b>Elect. Power</b>	<b>DC</b>	<b>Pn (hot)</b>	8 W
		<b>P (cold) 20°C</b>	9 W
<b>AC</b>	<b>Pn (holding)</b>	8 W	
	<b>Attraction cold</b>	9 W	
<b>Voltages "Un"</b>		<b>VAC/Hz</b>	<b>Code</b>
-10% to +10% of Un for AC		24/50	A2
- 10 % to + 10 % for Un DC.		48/50	A4
		115/50	E5
		230/50	F4

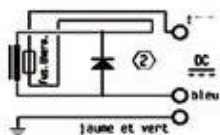
To Order a Coil choose Coil Ref + Voltage Code, example: 495905 for 24 VDC = 495905C2



495905



\*495905.05





# Coils and Spare Parts Informations

COIL GROUP

**6.0**

COILS FOR N339x-N349x-N359x Series  
**Flameproof & Encapsulated  
 LOW POWER**



ATEX zone 1-21

**This coil can be mounted with every Parker ATEX solenoid valves corresponding to the specified Coil Group. See column "Coil Group" within valve pages.**

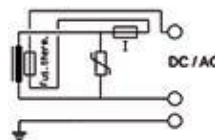
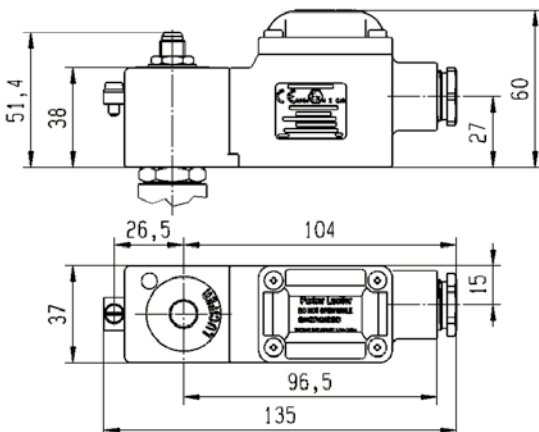
**Application:** Control of solenoid valves in dangerous areas where Flameproof & Encapsulated protection Ex db mb IIC T4 to T6 is required.

**Benefits:** Rotatable 360° fibreglass-reinforced plastic housing (class H). Solenoid coil, rectifier (silicium diodes), fuses and varistor protection are completely encapsulated into the coil housing by epoxy resin for shock and corrosion protection. The plastic housing is delivered with M20 x 1.5 cable gland certified for use "db" protection. Small size for ease of mounting in confined space.



Reference		495900 (VAC)	495900 (VDC)		
Certificate		LCIE 03 ATEX 6451 X / 04- IECEx LCI 06.0004 X			
Coil Group		6.0			
Type of protection	Gas	II 2 G - Ex db mb IIC T4 / T5 / T6	II 2 G - Ex db mb IIC T4 / T5 / T6		
	Dust	II 2 D Ex tb IIIC - 130°C / 95°C / 80°C	II 2 D Ex tb IIIC - 130°C / 95°C / 80°C		
Degree of protection		IP67			
Ambient temperature		-40°C to +80°C / +55°C / +40°C The application is limited also by the temperature range of the valve.			
Class of insulation		H (180 °)			
Electrical connection		Electric connection is done in the connection box on an easily accessible connector terminals. The introduction of the cable (Ø min 5 mm, Ømax. 11 mm, section max. 2.5 mm²) in the connection box passes by the built in M20 x 1.5 cable gland			
Elect. Power	DC	Pn (hot)	-	2 W	
		P (cold) 20°C	-	2.5 W	
	AC	Pn (holding)	2.5 W	-	
		Attraction cold	3 W	-	
Voltages "Un"		VAC/Hz	Code	VDC	Code
-10% to +10% of Un for AC		24/50	A2	24	C2
- 10 % to + 10 % for Un DC.		48/50	A4	48	C4
		115/50	E5	110	C5
		230/50	F4		

**To Order a Coil:** Coil Ref + Voltage Code, example: 495900 for 24 VDC = **495900C2**



## COIL GROUP

## 2.0/2.1

COILS FOR N33-N34-N35 Series  
Increased Safety

This coil can be mounted with every Parker ATEX solenoid valves corresponding to the specified Coil Group.  
See column "Coil Group" within valve pages.

**Application:** Control of solenoid valves in dangerous areas where explosion-proof protection Ex eb II T3 or T4 is required.

**Benefits:** Rotatable housing 360°, galvanized steel with internal and external screw terminals for earth connection.  
Small size for ease of mounting in confined space. Simplifies conversion of existing equipment to hazardous area requirements.



Reference		483371			494040				
Certificate		LCIE 02 ATEX 6011 X			LCIE 02 ATEX 6013 X				
Coil Group		2.0 / 2.1							
Type of protection	Gas	II 2 G - Ex eb IIC T4			II 2 G - Ex eb IIC T3 / T4				
	Dust	II 2 D - Ex tb IIIC - T130°C			II 2 D - Ex tb IIIC - T195°C / T130 °C				
Degree of protection		IP67							
Ambient temperature		-40°C to +65°C			-40°C to +90°C / to +65°C				
		The application is limited also by the temperature range of the valve.							
Class of insulation		F 155°C			F (180°)				
Electrical connection		By special cable gland or M20 x 1.5 "Ex eb" on screw terminals for wires up to 1.5 mm <sup>2</sup> . Cables with outside diameter 6.5 mm to 13.5 mm can be simply sealed using the rubber gland with resilient sealing rings supplied.							
Elect. Power	DC	Pn (hot)	8 W			8 W			
		P (cold) 20°C	9 W			9 W			
	AC	Pn (holding)	8 W			8 W			
		Attraction cold	32 VA (9 W)			32 VA (9 W)			
Weight		320 g							
Voltages "Un"		VAC/Hz	Code	VDC	Code	VAC/Hz	Code	VDC	Code
-10% to +10% of the Un		24/50 48/50 110-115/50 220-230/50	A2 A4 0A 3D	24 48 110	C2 C4 C5	220-230/50	3D	24	C2

To Order a Coil choose Coil Ref + Voltage Code, example: 483371 for 24 VDC = 483371C2

**Fuses:**

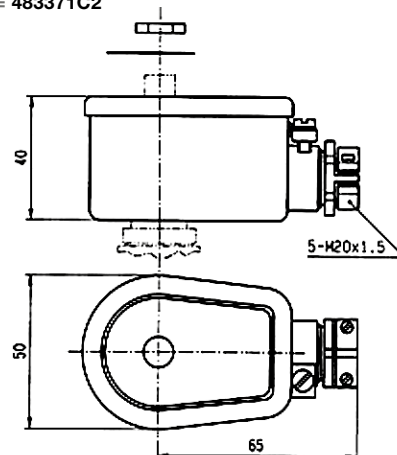
Both electrical parts have to be connected in series with a safety fuse according to IEC 60127-3.

**483371:**

DC: 24 V, 400 mA - 48V, 250 mA - 110 V, 100 mA  
AC 50HZ: 24 V, 630 mA - 48V, 315 mA - 110 V, 160 mA - 220/230 V, 80 mA

**494040:**

DC: 12 V, 400 mA - 24V, 200 mA - 48 V, 100 mA - 110V, 50 mA  
AC 50HZ: 24 V, 250 mA - 48V, 125 mA - 110/115 V, 63 mA - 220/230 V, 32 mA





These coils can be mounted with every Parker ATEX solenoid valves corresponding to the specified Coil Group. See column "Coil Group" within valve pages. These coils are Zone 0 capable but when used with an high flow valve that is zone 1 capable only, the assembly created is zone 1 capable.

**Application:** Control of solenoid valves in dangerous areas where explosion-proof protection Ex ia IIC T4 to T6 is required.

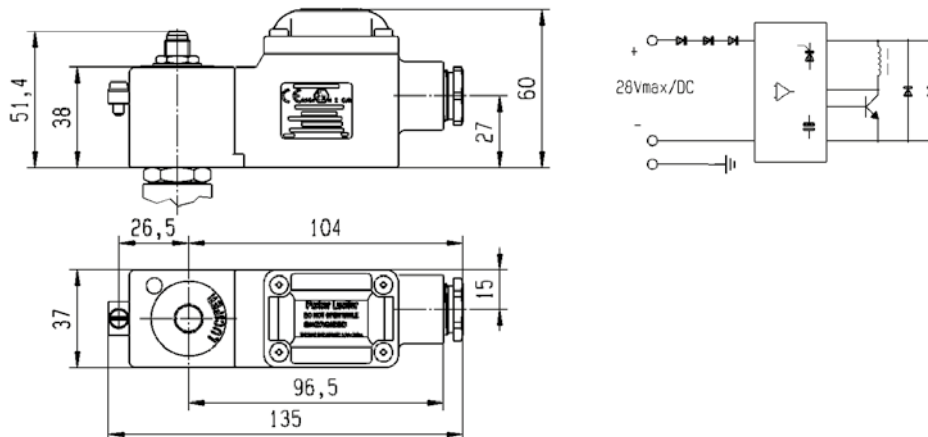
**Benefits:** Rotatable 360° fibreglass-reinforced plastic housing (Class H). Solenoid coil, rectifier (silicium diodes), fuses and varistor protection are completely encapsulated into the coil housing by epoxy resin for shock and corrosion protection.

Small size for ease of mounting in confined space.  
Available only in 28 VDC (code: N7)



<b>Reference</b>		<b>495910</b>
<b>Certificate</b>		<b>LCIE 03 ATEX 6464 X - IECEx LCI 07.0006 X</b>
<b>Coil Group</b>		<b>8.0</b>
<b>Type of protection</b>	<b>Gas</b>	II 1 G - Ex ia IIB or IIC - T4 to T6
	<b>Dust</b>	II 1 D - Ex ta IIC - T130°C to T80°C
<b>Degree of protection</b>		<b>IP67</b>
<b>Ambiant temperature</b>		-40°C to +65°C / +75°C / +80°C The application is limited also by the temperature range of the valve.
<b>Electrical connection</b> Electric connection is done in the connection box on an easily accessible connector terminals. The introduction of the cable (Ø min 7 mm, Ømax. 11 mm, section max. 2.5 mm²) in the connection box passes by the built in M20 x 1.5 cable gland		
<b>Maximum supply voltage</b>		28 VDC (N7) - 110 mA
<b>Power</b>	<b>DC</b>	
	<b>Minimum</b>	0.3 W (with 13 VDC)
	<b>Maximum</b>	1.2 W (with 24 VDC)
		Depending on applied voltage, IS barrier type and resistance of connected cable
<b>Line check</b>		4 mA or 5 VDC max
<b>Coil resistance at 20°C</b>		
<b>Impedance</b>		Charge ~ 550 Ω - Holding ~ 500 Ω
<b>Apparent inductance</b>		0 mH
<b>Apparent capacitance</b>		0 µF
<b>Response time</b>		2 - 3 s
<b>Weight</b>		500 g

To Order a Coil choose Coil Ref + Voltage Code, example: 495910 for 28 VDC = 495910N7



# Coils and Spare Parts Informations

## COIL GROUP

# 7.0

## COILS FOR N3390-N3590 Series Intrinsic Safety



These coils can be mounted with every Parker ATEX solenoid valves corresponding to the specified Coil Group.

See column "Coil Group" within valve pages. These coils are Zone 0 capable but when used with an high flow valve that is zone 1 capable only, the assembly created is zone 1 capable.

**Application:** Control of solenoid valves in dangerous areas where explosion-proof protection Ex ia or ib IIC T6 is required.

**Benefits:** Fully encapsulated assembly comprising a coil, metal armature, three diodes circuit and DIN plug connection. The encapsulation provides an effective compact housing offering full protection against dust, oil, water, etc. Small size for ease of mounting in confined space.

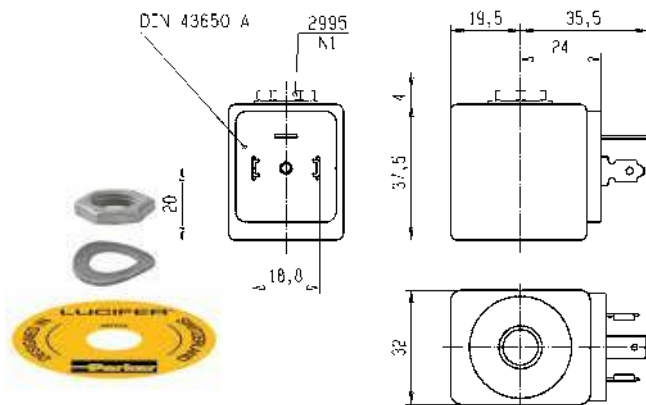


Reference (without plug) (with plug)	483580.01 483960.01
Certificate	LCIE 02 ATEX 6065 X - IECEx LCI 07.0025 X
Coil Group	7.0
Type of protection	Gas II 1 G - Ex ia IIC - T6 Dust II 1 D - Ex ta IIIC - T80°C
Degree of protection	IP65 with plug
Ambiant temperature	- 40°C à + 55°C The operating temperature of the valve/coil can be limited by that of the valve.
Class of insulation	F 155°C
Electrical connection	The coil is connected with a 2P + E plug according to EN 175301-803 type A Contact 1 is marked as the positive pole ⊕.
Maximum supply voltage	28 VDC (N7) - 110 mA The minimum operating voltage at maximum 60°C is 14 VDC.
Power	DC
	Minimum Maximum
Depending on applied voltage, IS barrier type and resistance of connected cable	
Coil resistance at 20°C	340 Ω
Impedance	340 Ω
Apparent inductance	0 mH
Apparent capacitance	0 μF
Weight	160 g (with plug)

To Order a Coil choose Coil Ref + Voltage Code, example: 483580.01 for 28 VDC = **483580.01N7**

These coils must be used with suitable housings, see example below:

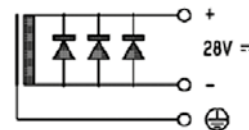
The coil assembly kit Ref. 2995 corresponds to the "housing" of Lucifer® valve numbering system (Valve - housing - coil - voltage). It is composed of a nameplate, a label giving details of the valve type, a round washer and a nut to ensure the fixing between 32 mm coil and the valve.



### Important

The intrinsically safe supply circuit should have enough capacity in all environmental conditions to assure a **minimum operating current of 35 mA** through the coil.

The minimal holding current is 20 mA.



For the barrier compatibility see the corresponding table in appendix section.

# Spare Parts Mounting Kit and Accessories

## Kit for G1/4" Models without conversion plate (N x 3 Series)

Kit includes the 2 mounting screws M5 x 25 A2, the dowel pin M5 x 10 A2,  
the 2 O-rings NBR 15 x 2.5

**Order code: 496132**

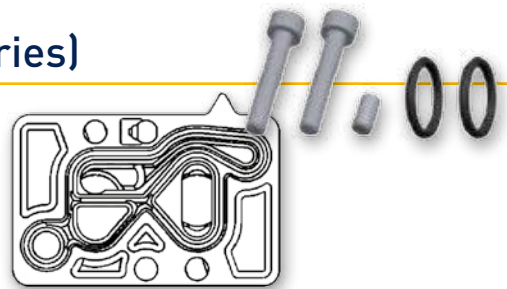


## Kit for G1/4" Models with conversion plate (N x 5 Series)

Kit includes the 2 mounting screws  
M5 x 35 A2, the dowel pin M5 x 20 A2,  
the conversion plate equipped with its seals

**Order code: 496742 (equipped plate)**

**Order code: 496852 (screws + pin)**



## Kit for G1/2" Models (N x 4 Series)

Kit includes the 2 mounting screws M6 x 35 A2, the dowel pin M6 x 12 A2,  
the 2 O-rings NBR 24 x 3

**Order code: 496133**



## Exhaust Flow Regulators

**Material Body:** Brass  
**Spring:** Stainless Steel

**Filter element:** Sintered bronze  
**Seal:** NBR



G1/8" **Order code: 496551**

G1/4" **Order code: 496552**

G1/2" **Order code: 496553**

## Connector DIN B

Connector DIN43650 AB Pg9 2P+E  
Order code: **481043**



## Housing for 22 mm Coil

Plastic nut with O-ring  
Order code: **3125**



## Connector DIN A

Connector DIN43650 AA Pg9 2P+E  
Order code: **486586**



### WARNING - USER RESPONSIBILITY

**FAILURE OR IMPROPER SELECTION OR IMPROPER USE OF THE PRODUCTS DESCRIBED HEREIN OR RELATED ITEMS CAN CAUSE DEATH, PERSONAL INJURY AND PROPERTY DAMAGE.**

- This document and other information from Parker-Hannifin Corporation, its subsidiaries and authorized distributors provide product or system options for further investigation by users having technical expertise.
- The user, through its own analysis and testing, is solely responsible for making the final selection of the system and components and assuring that all performance, endurance, maintenance, safety and warning requirements of the application are met. The user must analyze all aspects of the application, follow applicable industry standards, and follow the information concerning the product in the current product catalog and in any other materials provided from Parker or its subsidiaries or authorized distributors.
- To the extent that Parker or its subsidiaries or authorized distributors provide component or system options based upon data or specifications provided by the user, the user is responsible for determining that such data and specifications are suitable and sufficient for all applications and reasonably foreseeable uses of the components or systems.



# Parker's Motion & Control Technologies

At Parker, we're guided by a relentless drive to help our customers become more productive and achieve higher levels of profitability by engineering the best systems for their requirements. It means looking at customer applications from many angles to find new ways to create value. Whatever the motion and control technology need, Parker has the experience, breadth of product and global reach to consistently deliver. No company knows more about motion and control technology than Parker. For further info call 00800 27 27 5374



## Aerospace

### Key Markets

Aftermarket services  
Commercial transports  
Engines  
General & business aviation  
Helicopters  
Launch vehicles  
Military aircraft  
Missiles  
Power generation  
Regional transports  
Unmanned aerial vehicles

### Key Products

Control systems & actuation products  
Engine systems & components  
Fluid conveyance systems & components  
Fluid metering, delivery & atomization devices  
Fuel systems & components  
Fuel tank inerting systems  
Hydraulic systems & components  
Thermal management  
Wheels & brakes



## Climate Control

### Key Markets

Agriculture  
Air conditioning  
Construction Machinery  
Food & beverage  
Industrial machinery  
Life sciences  
Oil & gas  
Precision cooling  
Process  
Refrigeration  
Transportation

### Key Products

Accumulators  
Advanced actuators  
CO<sub>2</sub> controls  
Electronic controllers  
Filter driers  
Hand shut-off valves  
Heat exchangers  
Hose & fittings  
Pressure regulating valves  
Refrigerant distributors  
Safety relief valves  
Smart pumps  
Solenoid valves  
Thermostatic expansion valves



## Electromechanical

### Key Markets

Aerospace  
Factory automation  
Life science & medical  
Machine tools  
Packaging machinery  
Paper machinery  
Plastics machinery & converting  
Primary metals  
Semiconductor & electronics  
Textile  
Wire & cable

### Key Products

AC/DC drives & systems  
Electric actuators, gantry robots & slides  
Electrohydraulic actuation systems  
Electromechanical actuation systems  
Human machine interface  
Linear motors  
Stepper motors, servo motors, drives & controls  
Structural extrusions



## Filtration

### Key Markets

Aerospace  
Food & beverage  
Industrial plant & equipment  
Life sciences  
Marine  
Mobile equipment  
Oil & gas  
Power generation & renewable energy  
Process  
Transportation  
Water Purification

### Key Products

Analytical gas generators  
Compressed air filters & dryers  
Engine air, coolant, fuel & oil filtration systems  
Fluid condition monitoring systems  
Hydraulic & lubrication filters  
Hydrogen, nitrogen & zero air generators  
Instrumentation filters  
Membrane & fiber filters  
Microfiltration  
Sterile air filtration  
Water desalination & purification filters & system



## Fluid & Gas Handling

### Key Markets

Aerial lift  
Agriculture  
Bulk chemical handling  
Construction machinery  
Food & beverage  
Fuel & gas delivery  
Industrial machinery  
Life sciences  
Marine  
Mining  
Mobile  
Oil & gas  
Renewable energy  
Transportation

### Key Products

Check valves  
Connectors for low pressure fluid conveyance  
Deep sea umbilicals  
Diagnostic equipment  
Hose couplings  
Industrial hose  
Mooring systems & power cables  
PTFE hose & tubing  
Quick couplings  
Rubber & thermoplastic hose  
Tube fittings & adapters  
Tubing & plastic fittings



## Hydraulics

### Key Markets

Aerial lift  
Agriculture  
Alternative energy  
Construction machinery  
Forestry  
Industrial machinery  
Machine tools  
Marine  
Material handling  
Mining  
Oil & gas  
Power generation  
Refuse vehicles  
Renewable energy  
Truck hydraulics  
Turf equipment

### Key Products

Accumulators  
Cartridge valves  
Electrohydraulic actuators  
Human machine interfaces  
Hybrid drives  
Hydraulic cylinders  
Hydraulic motors & pumps  
Hydraulic systems  
Hydraulic valves & controls  
Hydrostatic steering  
Integrated hydraulic circuits  
Power take-offs  
Power units  
Rotary actuators  
Sensors



## Pneumatics

### Key Markets

Aerospace  
Conveyor & material handling  
Factory automation  
Life science & medical  
Machine tools  
Packaging machinery  
Transportation & automotive

### Key Products

Air preparation  
Brass fittings & valves  
Manifolds  
Pneumatic accessories  
Pneumatic actuators & grippers  
Pneumatic valves & controls  
Quick disconnects  
Rotary actuators  
Rubber & thermoplastic hose & couplings  
Structural extrusions  
Thermoplastic tubing & fittings  
Vacuum generators, cups & sensors



## Process Control

### Key Markets

Alternative fuels  
Biopharmaceuticals  
Chemical & refining  
Food & beverage  
Marine & shipbuilding  
Medical & dental  
Microelectronics  
Nuclear Power  
Offshore oil exploration  
Oil & gas  
Pharmaceuticals  
Power generation  
Pulp & paper  
Steel  
Water/wastewater

### Key Products

Analytical Instruments  
Analytical sample conditioning products & systems  
Chemical injection fittings & valves  
Fluoropolymer chemical delivery fittings, valves & pumps  
High purity gas delivery fittings, valves, regulators & digital flow controllers  
Industrial mass flow meters/ controllers  
Permanent no-weld tube fittings  
Precision industrial regulators & flow controllers  
Process control double block & bleeds  
Process control fittings, valves, regulators & manifold valves



## Sealing & Shielding

### Key Markets

Aerospace  
Chemical processing  
Consumer  
Fluid power  
General industrial  
Information technology  
Life sciences  
Microelectronics  
Military  
Oil & gas  
Power generation  
Renewable energy  
Telecommunications  
Transportation

### Key Products

Dynamic seals  
Elastomeric o-rings  
Electro-medical instrument design & assembly  
EMI shielding  
Extruded & precision-cut, fabricated elastomeric seals  
High temperature metal seals  
Homogeneous & inserted elastomeric shapes  
Medical device fabrication & assembly  
Metal & plastic retained composite seals  
Shielded optical windows  
Silicone tubing & extrusions  
Thermal management  
Vibration dampening

ENGINEERING YOUR SUCCESS.

# Parker Worldwide

## Europe, Middle East, Africa

**AE - United Arab Emirates**, Dubai  
Tel: +971 4 8127100  
parker.me@parker.com

**AT - Austria**, Wiener Neustadt  
Tel: +43 (0)2622 23501-0  
parker.austria@parker.com

**AT - Eastern Europe**, Wiener Neustadt  
Tel: +43 (0)2622 23501 900  
parker.easteurope@parker.com

**AZ - Azerbaijan**, Baku  
Tel: +994 50 2233 458  
parker.azerbaijan@parker.com

**BE/LU - Belgium**, Nivelles  
Tel: +32 (0)67 280 900  
parker.belgium@parker.com

**BG - Bulgaria**, Sofia  
Tel: +359 2 980 1344  
parker.bulgaria@parker.com

**BY - Belarus**, Minsk  
Tel: +375 17 209 9399  
parker.belarus@parker.com

**CH - Switzerland**, Etoy  
Tel: +41 (0)21 821 87 00  
parker.switzerland@parker.com

**CZ - Czech Republic**, Klecany  
Tel: +420 284 083 111  
parker.czechrepublic@parker.com

**DE - Germany**, Kaarst  
Tel: +49 (0)2131 4016 0  
parker.germany@parker.com

**DK - Denmark**, Ballerup  
Tel: +45 43 56 04 00  
parker.denmark@parker.com

**ES - Spain**, Madrid  
Tel: +34 902 330 001  
parker.spain@parker.com

**FI - Finland**, Vantaa  
Tel: +358 (0)20 753 2500  
parker.finland@parker.com

**FR - France**, Contamine s/Arve  
Tel: +33 (0)4 50 25 80 25  
parker.france@parker.com

**GR - Greece**, Athens  
Tel: +30 210 933 6450  
parker.greece@parker.com

**HU - Hungary**, Budaörs  
Tel: +36 23 885 470  
parker.hungary@parker.com

**IE - Ireland**, Dublin  
Tel: +353 (0)1 466 6370  
parker.ireland@parker.com

**IT - Italy**, Corsico (MI)  
Tel: +39 02 45 19 21  
parker.italy@parker.com

**KZ - Kazakhstan**, Almaty  
Tel: +7 7273 561 000  
parker.easteurope@parker.com

**NL - The Netherlands**, Oldenzaal  
Tel: +31 (0)541 585 000  
parker.nl@parker.com

**NO - Norway**, Asker  
Tel: +47 66 75 34 00  
parker.norway@parker.com

**PL - Poland**, Warsaw  
Tel: +48 (0)22 573 24 00  
parker.poland@parker.com

**PT - Portugal**, Leca da Palmeira  
Tel: +351 22 999 7360  
parker.portugal@parker.com

**RO - Romania**, Bucharest  
Tel: +40 21 252 1382  
parker.romania@parker.com

**RU - Russia**, Moscow  
Tel: +7 495 645-2156  
parker.russia@parker.com

**SE - Sweden**, Spånga  
Tel: +46 (0)8 59 79 50 00  
parker.sweden@parker.com

**SK - Slovakia**, Banská Bystrica  
Tel: +421 484 162 252  
parker.slovakia@parker.com

**SL - Slovenia**, Novo Mesto  
Tel: +386 7 337 6650  
parker.slovenia@parker.com

**TR - Turkey**, Istanbul  
Tel: +90 216 4997081  
parker.turkey@parker.com

**UA - Ukraine**, Kiev  
Tel: +380 44 494 2731  
parker.ukraine@parker.com

**UK - United Kingdom**, Warwick  
Tel: +44 (0)1926 317 878  
parker.uk@parker.com

**ZA - South Africa**, Kempton Park  
Tel: +27 (0)11 961 0700  
parker.southafrica@parker.com

## North America

**CA - Canada**, Milton, Ontario  
Tel: +1 905 693 3000

**US - USA**, Cleveland  
Tel: +1 216 896 3000

## Asia Pacific

**AU - Australia**, Castle Hill  
Tel: +61 (0)2-9634 7777

**CN - China**, Shanghai  
Tel: +86 21 2899 5000

**HK - Hong Kong**  
Tel: +852 2428 8008

**IN - India**, Mumbai  
Tel: +91 22 6513 7081-85

**JP - Japan**, Tokyo  
Tel: +81 (0)3 6408 3901

**KR - South Korea**, Seoul  
Tel: +82 2 559 0400

**MY - Malaysia**, Shah Alam  
Tel: +60 3 7849 0800

**NZ - New Zealand**, Mt Wellington  
Tel: +64 9 574 1744

**SG - Singapore**  
Tel: +65 6887 6300

**TH - Thailand**, Bangkok  
Tel: +662 186 7000-99

**TW - Taiwan**, Taipei  
Tel: +886 2 2298 8987

## South America

**AR - Argentina**, Buenos Aires  
Tel: +54 3327 44 4129

**BR - Brazil**, Sao Jose dos Campos  
Tel: +55 800 727 5374

**CL - Chile**, Santiago  
Tel: +56 2 623 1216

**MX - Mexico**, Apodaca  
Tel: +52 81 8156 6000



**EMEA Product Information Centre**  
Free phone: 00 800 27 27 5374

(from AT, BE, CH, CZ, DE, DK, EE, ES, FI, FR, IE, IL, IS, IT, LU, MT, NL, NO, PL, PT, RU, SE, SK, UK, ZA)

**US Product Information Centre**  
Toll-free number: 1-800-27 27 537

www.parker.com